

Release 01.01

Oct 10th, 1999

---

**DMS-100<sup>1</sup> Family**  
**Product Computing Module Loads**  
**Generic**  
**Traffic Tables**

Standard 01.01

Oct 10th, 1999

---

---

<sup>1</sup> DMS-100 is a trademark of Nortel Networks

NORTEL NETWORKS

297-8991-101

Release 01.01

Oct 10th, 1999

**TABLE OF CONTENTS**

- 1. General.....6
- 2. Product/System Overview .....6
  - 2.1. Service Standards .....6
    - 2.1.1. Busy Hour Criteria.....6
    - 2.1.2. Types of Service Criteria.....7
    - 2.1.3. Definitions .....7
    - 2.1.4. Criteria at Normal Operating Conditions.....9
    - 2.1.5. Criteria Under Overload Conditions.....9
  - 2.2. Grade of Service Specifications .....10
    - 2.2.6. Dial Tone Delay (DTD) GOS Objectives .....10
    - 2.2.7. Incoming Start to Dial Delay (ISDD) GOS Specification .....11
    - 2.2.8. Matching Loss G.O.S.....11
    - 2.2.9. Service Circuits GOS Objectives.....13
    - 2.2.10. Receiver GOS Objectives.....13
  - 2.3. Description of PM Traffic Characteristics.....14
    - 2.3.11. Line Concentrating Module (LCM).....14

Release 01.01

Oct 10th, 1999

2.3.12. Remote Line Concentrating Module (RLCM) ..... 14

2.3.13. Outside Plant Access Cabinet (OPAC)..... 14

2.3.14. Remote Cluster Controller (RCC & RCC2)..... 14

2.3.15. Dual Remote Cluster Controller (DRCC & DRCC2)..... 14

2.3.16. Line Group Controller (LGC) ..... 15

2.3.17. Digital Trunk Controller (DTC) ..... 15

2.3.18. Line Trunk Controller (LTC) ..... 15

2.4. The Provisioning Methodology..... 15

2.4.19. Inter-Module Link Design..... 15

2.4.20. Re-Dimensioning Peripheral Modules..... 16

2.4.21. Concentrating & non-Concentrating LGC ..... 16

2.4.22. Spread of Lines and Trunks Across PM ..... 16

2.5. Ordering Information..... 17

2.6. Provisioning Considerations ..... 17

2.7. Traffic Table Descriptions ..... 18

2.7.23. Table 1: Generic HDBH Traffic Capacity ..... 18

2.7.24. Table 2A: RLCM/OPAC HDBH Traffic Capacity (CCS)..... 18

2.7.25. Table 2B: IRLCM HDBH Traffic Capacity (CCS)..... 18

2.7.26. Table 3A: DMS100 Local Network Capacities..... 19

2.7.27. Table 3B: DMS200 Offices and DMS100/200 Toll Offices..... 19

2.7.28. Table 4A: Total DRA Traffic (CCS) for NT0X48 Network (Note: use table 5 for ENET offices)..... 19

2.7.29. Table 4B: Total DRA Traffic (CCS) for NT5X13/8X11 Network (Note: use table 5 for ENET offices) ..... 19

Release 01.01

Oct 10th, 1999

- 2.7.30. Table 5: Service Circuit Capacity (Poisson Theory) ..... 19
- 2.7.31. Table 6: MF Receiver Holding Time ..... 19
- 2.7.32. Table 7: Digitone Receiver Holding Time ..... 19
- 2.7.33. Table 8: CMR Modem Holding Times ..... 20
- 2.7.34. Table 9: DWS ISUP Trunks HDBH (CCS) ..... 20
- 2.7.35. Table A: Attendant Console Traffic Capacity ..... 20
- 2.8. Traffic Tables ..... 20
  - 2.8.36. Traffic Table Methodology ..... 20
  - 2.8.37. Table 1: Generic HDBH Traffic Capacity ..... 20
  - 2.8.38. Table 2A: RLCM/OPAC HDBH Traffic Capacity (CCS)..... 74
  - 2.8.39. Table 2B: IRLCM Traffic Capacity (CCS)..... 97
  - 2.8.40. Table 3A: DMS100 Local Network Capacities..... 102
  - 2.8.41. Table 3B: DMS200 and DMS100/200 Toll and Local/Toll..... 103
  - 2.8.42. Table 4A: Total DRA Traffic (CCS) for NT0X48 Network..... 104
  - 2.8.43. Table 4B: Total DRA Traffic (CCS) for NT5X13/8X11 Network ..... 105
  - 2.8.44. Table 5: Service Circuit Capacity (Poisson Theory) ..... 106
  - 2.8.45. Table 6: MF Receiver Holding Time ..... 116
  - 2.8.46. Table 7: Digitone Receiver Holding Time ..... 116
  - 2.8.47. Table 8: CMR Modem Holding Times ..... 117
  - 2.8.48. Table 9: DWS ISUP Trunks HDBH (CCS) ..... 117
  - 2.8.49. Table A: Attendant Console Traffic Capacity ..... 122

Release 01.01

Oct 10th, 1999

# 1. General

This DOCUMENT contains all of the traffic tables required to engineer the DMS100 Family of products.

## 2. Product/System Overview

### 2.1. Service Standards

These standards specify the Delay and Matching Loss criteria service objectives for Local (Class 5) and Toll switching systems recommended by Nortel Network's. Explicit objectives are given for the Average Busy Season Busy Hour (ABSBH) and High Day Busy Hour (HDBH)

The standard has been developed taking into account both the performance aspects of switching systems and the service expectations of customers. The following three areas of traffic engineering related activities are impacted by design standards:

- Switch Administration - Switch administration will ensure that service provided meets these traffic standards using servicing techniques.
- Switch Provisioning - Initial switch implementation as well as switch extensions are engineered to meet given traffic service objectives. These service standards performance levels will be used in determination of switch capacities.
- Switch Performance - The Delay and Matching Loss design standard performance levels will be used as a point of reference in the development of performance requirement standards which specifies Nortel Network's performance requirements recommendations for the design and development of new switching systems.

#### 2.1.1. Busy Hour Criteria

Provisioning of traffic sensitive components is based on service criteria and traffic intensity (Load) or on call attempts as a function of service relations. In engineering the facilities, the derived load versus service restrictions should be as accurate as possible. These functions should be verified by simulation and appropriate measurements on systems in service.

The traffic capacity tables that form the basis for equipment provisioning give the load or call volumes that can be handled by different equipment quantities, while attaining a fixed service criterion during an indicated period of time (Busy Hour). Selection of the Busy Hour is critical, because this is the period during a year for which the traffic load or call attempts should be forecast. In some cases, provisioning is based on the most limiting of two or three expected loads in different periods of time (i.e. ABSBH, 10HDBH, and HDBH) with a different service criterion. The purpose of this is to ensure adequate performance under both normal and peak load conditions.

Release 01.01

Oct 10th, 1999

**2.1.2. Types of Service Criteria**

**2.1.2.1. Blocking Loss (Matching Loss Criteria)**

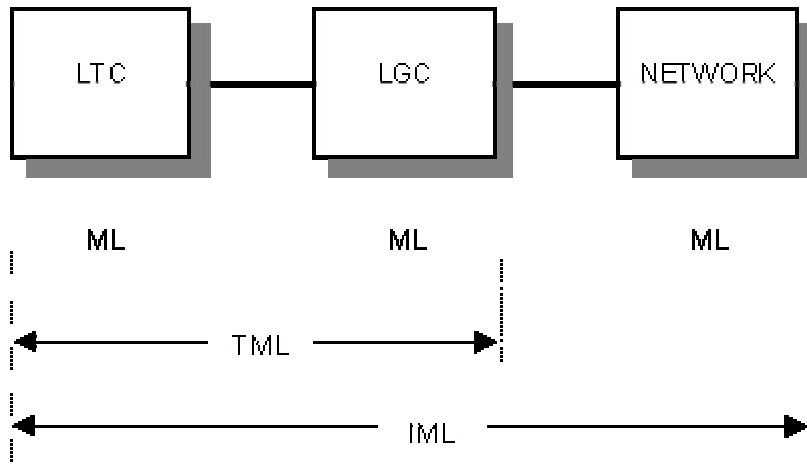
Blocking Loss occurs when a call arrives for service and all servers (service circuits, network paths, etc.) are busy. Blocking is measured as the fraction of all calls attempted that are lost.

**2.1.2.2. Delay Criteria**

Delay occurs when a call finds all servers (service circuits, software resources, etc.) busy and the call is queued until it defects or a server becomes idle. Delay is usually measured as the fraction of call attempts that are delayed greater than a specified criteria (i.e. Delay > 3 seconds or Delay > 1 Holding Time).

**2.1.2.3. Terminating Matching Loss (TML)**

The DMS100F is provisioned in modular sections, with each module having its own component of Matching Loss. Incoming Matching Loss (IML) is the linear addition of the Matching Loss allotted to component parts. Terminating Matching Loss (TML) is the IML portion allocated to Peripheral Modules (PM) (i.e. LCM/LGC, RLCM/LGC, OPAC/LGC, LCM/RCC etc.) (see figure below).



**2.1.3. Definitions**

**Busy Hour (BH)**

In a business day, the peak 60 minute period (not necessarily a clock hour) when the largest volume of traffic is handled.

**Time Consistent Busy Hour (TCBH)**

Release 01.01

Oct 10th, 1999

The busy hour may vary from one day to another. In order to engineer the switching equipment, the hour of day which consistently has the highest average load over the study period is determined. This hour is called the Time Consistent Busy Hour.

### **Busy Season (BS)**

Three selected months (not necessarily consecutive) each containing approximately 20 consecutive business days that have the highest average business day traffic in the TCBH is termed the Busy Season. It should be noted that the same hour is used for each month.

### **Average Busy Season Busy Hour (ABSBH)**

The measured busy hour traffic, averaged across the business days of the busy season is termed the Average Busy Season Busy Hour (ABSBH) load.

### **Ten High Day Busy Hour (10HDBH)**

Traffic Data are processed all year. From this data the average of the ten highest days busy hour load (excluding holiday traffic e.g. Mother's Day and abnormal traffic e.g. Snow Storms) is calculated. This is termed the Ten High Day Busy Hour Load. The 10HDBH may not be the same busy hour as that calculated for the ABSBH.

Note that a 10HDBH performance standard is not based directly on the 10HDBH load. Such a standard is the (unweighted) average service expected for the relevant 10 busy hours. Since virtually all load/service relations are convex functions, this means that traffic engineering for the 10HDBH must include a "day-to-day variation" allowance, (i.e. a reduction in the capacity that would be cited to meet a single-hour service objective. This same remark applies to ABSBH service standard and capacities.

### **High Day Busy Hour (HDBH)**

The one day among the 10HDBH Loads that has the highest traffic during the busy hour is designated the High Day Busy Hour.

### **Call Types**

Calls processed by Local (Class 5) and Toll switching systems other than test calls are categorized as follows:

- Originating Terminating - These are calls which originate from and are terminated to customer lines within the same switch. These are also called intra-office calls.
- Originating Outgoing - These are calls which originate from the customer lines served by the switch but have a terminating destination external to that switch. These are also called interoffice calls.
- Incoming Terminating - These calls originate from sources external to the switch and are



Release 01.01

Oct 10th, 1999

destined for termination on customer lines within this switch

- Incoming Outgoing - These calls have originating sources and terminating destinations which are external to the switch. These connections are also called tandem calls and involve a minimum of three switching systems.

#### **2.1.4. Criteria at Normal Operating Conditions**

Service standards specified in Chapter 2 will apply when there are no overload controls in effect and all load-related equipment is in service. Traffic engineering information will be provided to permit telcos to order DMS100 systems that will handle smaller traffic loads while meeting service standard objectives.

#### **2.1.5. Criteria Under Overload Conditions**

Overload is defined as a condition in which the DMS100 family of switching systems exceeds High Day Busy Hour performance requirements because its call processing resources are exhausted. This condition can be caused by the exhaustion of::

- Real Time of the Processor
- Switching Network Overloads
- Peripheral Units Overload
- Inadequate Provision of Service Circuits

A DMS100 Family office is designed and configured to handle a defined amount of traffic with defined characteristics. If the designed load is exceeded, some of the traffic must be delayed or blocked. The exact effect depends on the nature of the overload. The design intent is that any part of the equipment that is offered more than its rated load should continue to operate at or near its rated capacity. The excess load should be delayed or blocked in an orderly way. The presence of excess load should not cause throughput degradation or outage.

##### **2.1.5.1. Types of Overload**

Overload may be manifested in any of four main areas:

- a. Shortage of tone receivers
- b. Shortage of speech paths
- c. Shortage of processing capacity in one or more peripherals
- d. Limits on global system capacity

The Central Control (CC), as the focus of all switching activity in the DMS100, effectively determines the ultimate system capacity and hence requires overload protection in order that the

Release 01.01

Oct 10th, 1999

system does not experience throughput degradation or outage in the presence of excess load.

## 2.2. Grade of Service Specifications

The Office Grade of Service is defined as being a component of the office service quality, qualifying the normal office reaction to traffic variations in the ideal situation in which the Office is completely fault and trouble free. Therefore, to establish a standard basis of equipment provisioning, it is necessary to devise a measure of service to quantify the inconvenience suffered by the subscribers as a result of blocking. The definition of inconvenience depends on how the system deals with calls which encounter blocking. In a loss system, busy tone is immediately returned to the calling subscriber who must replace his receiver before trying again, whereas in a delay system, the calling subscriber can wait, possibly for a limited time, during which, he is immediately connected when the facility (i.e. service circuits) becomes available. The subscriber is only considered to be inconvenienced if the delay exceeds some maximum tolerable value. DMS100 family design apply a mixture of loss (matching loss) and delay criteria.

Standard grades of service have usually been arrived at on the basis of judgement and experience, the idea being to achieve the best service obtainable with the technology available at reasonable cost. These standards should not be too inflexible, and may need to be reviewed from time to time in light of technical developments.

### 2.2.6. Dial Tone Delay (DTD) GOS Objectives

<b>DMS 100 Local</b>		
<b>Criteria</b>	<b>ABSBH</b>	<b>HDBH</b>
DTD > 3 sec	1.5	20%
Note: Switches are to be provisioned to the more constraining of either ABSBH or HDBH load levels		

DTD is a measure of the time it takes a switch to return dial tone to an originating subscriber after the subscriber goes off-hook. The receipt of dial tone indicates the system is ready to receive the subscribers keyed digits.

In DMS100 Local the following times are major contributions to Dial Tone Delays:

- Peripheral module response time to subscriber off-hook.
- Time to process the request for service by the peripheral processor.

Release 01.01

Oct 10th, 1999

- Time required to connect the receiver and tone source

These times are cumulative and the system design provides for a total dial tone connect time that is within the dial tone delay standards as specified above.

Note that blocked dial tone occurs when the customer line circuit cannot access any digit receiver because of network congestion, particularly in the peripheral module front end concentrator.

**2.2.7. Incoming Start to Dial Delay (ISDD) GOS Specification**

	DMS100 Local		DMS200 Toll	
Criteria	ABSBH	HDBH	10HDBH	HDBH
ISDD > 3 sec	1.5%	20%	8%	20%

Note: Switches are to be provisioned to the more constraining of either ABSBH or HDBH for Local and 10HDBH or HDBH for Toll load levels.

When attempts are allowed to queue, interoffice receivers (MF) are subject to interoffice receiver (IR) delay criterion, expressed as the probability that all MF receivers are busy when a call arrives. Generally, the dial tone delay standards apply to incoming start to dial delay as well.

Receiver circuits are engineered so that Call Processing Delay constitutes the major component of DTD and ISDD in a central control (Real Time) limited system.

**2.2.8. Matching Loss G.O.S.**

DMS100 LOCAL			
Criteria	ABSBH	HDBH	
		Current	Recommended
Incoming Matching Loss (IML)	2%	20%	5%
Outgoing Matching Loss (OML)	1%	20%	5%

Release 01.01

Oct 10th, 1999

Intra Office Matching Loss (IAML)	2%	20%	5%
-----------------------------------	----	-----	----

<b>DMS200 Toll/Tandem</b>		
<b>Criteria</b>	<b>10HDBH</b>	<b>HDBH</b>
Tandem Matching Loss (TAML)	0.5%	2%
<p>Note:</p> <ul style="list-style-type: none"> <li>• For Local applications the IML is the limiting factor</li> <li>• For Toll applications the TAML is the limiting factor</li> <li>• For Local/Toll applications the more stringent of the IML and/or TML is the limiting factor.</li> <li>• The TELCO may wish to specify different GOS for their unique operating environment.</li> </ul>		

Matching loss is defined as the situation where no network path exists between an incoming or originating call and a free customer line or suitable outgoing trunk. Matching loss can be classified by the type of call being processed by the switching technology employed. In general it is classified as follows:

- **INCOMING MATCHING LOSS (IML)** This term is used in conjunction with incoming terminating calls only.
- **OUTGOING MATCHING LOSS (OML)** This term is used in conjunction with originating-outgoing calls only.
- **INTRA OFFICE MATCHING LOSS (IAML)** This term is used in conjunction with originating-terminating calls only.
- **TANDEM MATCHING LOSS (TAML)** This term is used in conjunction with incoming-outgoing calls only.

In general, all matching loss calls take up to two trials to find a suitable path through the network, i.e., All paths are in effect "point to group" between the originating channel and the terminating channel.

Release 01.01

Oct 10th, 1999

**2.2.9. Service Circuits GOS Objectives**

With the exception of receivers (i.e. Digitone, MF and UTR), occupancy on individual groups of service circuits (i.e. tone circuits, conference circuits, announcement circuits, etc) is limited to 80 percent on an ABSBH load level basis, and 90 percent on a HDBH load level basis. For large groups of service circuits, the occupancy limit is expected to be the limiting factor. For smaller groups of service circuits, the criteria listed below provide the basis for service circuit delay and blocking requirements. In general, the quantities of these system components are engineered to cause minimal blocking. This helps to ensure that processing requirements per call do not increase significantly under peak load conditions.

The service circuits GOS based on blocking criteria are as follows:

Service Circuit	Criteria	ABSBH	HDBH
Announcement Circuits	BLOCKING	1%	5%
Tone Circuits	BLOCKING	1%	5%
Conference Circuits	BLOCKING	0.1%	5%

**2.2.10. Receiver GOS Objectives**

In all cases, occupancy on individual groups of receiver circuits (i.e. digitone, MF, and UTR) is limited to 75 percent on a HDBH load level basis. The requirements are expected to be controlling requirements for groups of receiver circuits over approximately 35 receivers (i.e. pool of digitone and/or MF). For groups of receiver circuits smaller than 35 receivers the following criteria provide the basis for receiver circuit delay and blocking requirements.

The receiver circuits GOS based on blocking and delay criteria are as follows:

Service Circuit	Criteria	ABSBH	HDBH
DTMF Receiver	DTD > 0 sec	1%	5%
	DTD > 3 sec	0.1%	1.0%
MF Receiver	DTD > 0 sec	1%	5%
	DTD > 3 sec	0.1%	1.0%

Release 01.01

Oct 10th, 1999

UTR Receiver	DTD > 0 sec	1%	5%
	DTD > 3 sec	0.1%	1.0%

## 2.3. Description of PM Traffic Characteristics

### 2.3.11. Line Concentrating Module (LCM)

The LCM provides an interface between analog line facilities and the internal switching system. It converts analog to digital and digital to analog signals and multiplexes the digital signals into a 2.56 mb/sec rate for transmission to the LGC via DS-30A links. The LCM provides concentration of 640 analog subscriber lines to between 60 and 180 speech channels (that is, 2 to 6 DS-30A links) to the LGC. Six hundred thirty-nine (639) lines are available for subscriber use, and one line is used for testing.

### 2.3.12. Remote Line Concentrating Module (RLCM)

The RLCM is a remote LCM connected to a host LGC or RSC via a minimum of two and a maximum of six DS-1 links. During normal non-ESA operation, the RCLM will support all of the subscriber line features that are possible to assign to lines at a host LCM.

### 2.3.13. Outside Plant Access Cabinet (OPAC)

The OPAC is an RLCM housed in an environmentally controlled cabinet. Features and configurations of the OPAC are the same as those for RLCM. Additionally, the OPAC provides commercial ac power inlet, rectifiers, batteries, an environmental control system, and equipment for the termination, protection and powering of associated DS-1 pairs.

### 2.3.14. Remote Cluster Controller (RCC & RCC2)

The RSC is an LGC based peripheral, remotely connected to an LGC when supporting lines only, and to an LTC when supporting lines and trunks, via 2-16 DS-1 C-side host links. A variable set of loopback channels are available for intra-calling. The RSC supports up to 20 links (2 links reserved for Remote Maintenance , which may be configured to provide various combinations of DS-30A links (LCMs, RMMs) and/or DS-1 links (RLCMs, OPACs, CDO trunking and PBX trunking). The RSC, when supporting lines only, has the ability to interface up to 5760 lines in low traffic applications (2.8 CCS/line). The RCC2 which is used in a Remote Switching Center Sonet office has 2-20 DS-1 C-side links and support for 54 links as noted in RCC and supports up to 6000 lines depending on traffic requirements.

### 2.3.15. Dual Remote Cluster Controller (DRCC & DRCC2)

The DRCC is two RCCs, supporting a Remote Switching Center office, connected to each other

Release 01.01

Oct 10th, 1999

via inter DS-1 links. The DRCC, when supporting lines only, has the ability to interface up to 11,520 lines in low traffic applications (2.8 ccs/line). The DRCC2 is used in a Remote Switching Center Sonet office and supports up to 12,000 lines depending on traffic requirements.

### **2.3.16. Line Group Controller (LGC)**

The LGC is designed to support the LCM and the family of remotes based on the LCM equipment. The LGC interfaces up to 16 DS-30 C-side ports spread over as many as 16 network modules. The 16 DS-30 C-side ports are accessible by 20 DS-30A p-side ports. Further, since the DTC and LGC employ a common architecture, it is possible to interface the 16 DS-30 C-side ports with a combination of DS-30A and DS-1 P-side ports up to a combined total of 20 P-side ports.

### **2.3.17. Digital Trunk Controller (DTC)**

The DTC interfaces between digital trunks carried over DS-1 links and the DS-30 links used internally in DMS100 between the PMs and each plane of the duplicated networks. Hence, no concentration exists in the DTC.

### **2.3.18. Line Trunk Controller (LTC)**

The LTC is designed to support a subset of both LGC and DTC functions. The LTC interfaces to the DMS network through a minimum of three to a maximum of 16 DS-30 ports. These 16 DS-30 ports are accessible to a maximum of 20 DS-30A ports or 20 DS-1 ports. The DS-30A ports support LCMs. The DS-1 ports support digital carrier facilities, RLCMs, and RSCs.

## **2.4. The Provisioning Methodology**

Teletraffic provisioning represents the initial stage only of designing a DMS100 Order. The outcome from this stage will generally comprise a first estimate of the quantity of each type of peripheral required to meet the Customer Order, and specification of the inter-module Link design to be adopted for the Office. The procedure also identifies the quantity of external DS-1 Links which must be provisioned from a Remote to the Host.

### **2.4.19. Inter-Module Link Design**

The link designs referred to in this document are those between Line Concentrating Modules (LCM) or equivalent and the LGC, also the links between the LGC and the Network. In general the selection of a Link configuration for an Office, particularly LCM - LGC links, is a "once in a lifetime" selection which is then maintained in the Office for its entire operational life. This is due in the most part to the high administrative costs prevalent in most Telcos in dealing with variance and the high cost of rearranging live equipment with the attendant possibility of service interruptions.

External DS-1 Links from Remote Peripherals on the other hand are generally provisioned for

Release 01.01

Oct 10th, 1999

the Office Design period only. These links usually have a relatively high incremental provisioning cost together with high annual maintenance charges that preclude Telcos from provisioning for longer periods.

It is critical to ascertain that the order details employed in the initial design of the Office are also indicative of the Office utilization throughout its anticipated service life. If this is not the case, it should be brought to the attention of the Telco prior to deciding the final Office link configurations.

#### **2.4.20. Re-Dimensioning Peripheral Modules**

If other limitations are identified in the subsequent provisioning steps, such as LGC peripheral processor Real Time, the general response is to deload the affected component by a calculated percentage of lines. Wiring fills of less than 100% are often specified by Customers to ensure that there is some capacity available to perform load-balancing. It is recommended that the Wiring Fill applicable to the Office at its End-of-Service Life period should be calculated, based on an estimate of the increase in forecast customer traffic per line over the period, if available from the Telco.

#### **2.4.21. Concentrating & non-Concentrating LGC**

NORTEL's preferred method of provisioning is the Concentrating LGC due to the superior performance attainable; however, non-Concentrating LGCs are widely used at present and will continue to be supported. The method to be used will be at the discretion of the Customer. The concentrating LGC takes advantage of non-coincidental busy hours between the LCMs and provides channels that can be shared more efficiently and can actually increase LCM CCS capacity without requiring additional hardware.

#### **2.4.22. Spread of Lines and Trunks Across PM**

In general, DMS100F provisioning assumes that lines and trunks will be spread evenly across the Peripheral modules. This is effected by spreading the lines by Class of Service across the PMs and by monitoring LCM link traffic to identify and correct significant imbalances.

Similarly remotes should be spread across LGC as evenly as possible, commencing with Dual-RSC/RSC-S with Trunking, Dual RSC/RSC-S, RSC/RSC-S with trunking, RSC/RSC-S and then RLCM, starting with the remote with the highest host-bound traffic in each case. No more than two RSC/RSC-S should be homed on a single LGC/LTC. If it is necessary to pair RSC on the same host XPM, Dual-RSC/RSC-S should not be paired. The pairing should be confined to the smallest RSC/RSC-S and they should be grouped according to the support of RSC/RSC-S trunking except where this is unavoidable.

Customer Orders with a significant proportion of Remotes do not readily allow estimation of the number of LGCs/LTCs required at the Host by arithmetical means. This is due to the combinations which can arise leading to an indeterminate number of spare p-side ports at the Host LGC/LTC. To overcome this, a graphical approach to allocation of first rank peripherals to



Release 01.01

Oct 10th, 1999

XPM is advocated.

## 2.5. Ordering Information

Ordered through the following organization(s) only:

Market	Organization
Canada	Nortel Network Canada
U.S.	Nortel Network U.S.
Richardson	Data Communication and Network (DCN), NTL.

## 2.6. Provisioning Considerations

The traffic provisioning methodology is based on achieving the required Grade of Service Blocking criteria as allocated between the individual components of the DMS100 System. Where the Grade of Service Blocking is unspecified or is not the most constraining provisioning criteria, NORTEL recommends component blocking standards commensurate with optimal utilization of the DMS100 System.

For a given office, NORTEL recommends that engineering the provisioning requirements for series II Peripherals (i.e. LCM, RLCM, OPAC, RCC, RCC2, DTC, LGC, and LTC) be met at the projected High Day Busy Hour (HDBH) office Load. Verify Real Time Capacity, as detailed in appropriate NORTEL Documentation, for both the Peripherals and Computing Module (DMS SuperNode) to ensure satisfactory operation at the specified load.

It should be noted that DMS100 designs must satisfy essentially five precepts: Physical requirements, Teletraffic Capacity and Grade of Service criteria, Processor Real Time limits, Software Resources capacity, including total memory requirements, and relevant Administrative criteria (e.g., peripheral image loading).

The steps to simplified provisioning are as follows:

1. Define the overall Incoming Matching Loss (IML) for an office by selecting the following: ABSBH : 0.003, 0.005, 0.007, 0.01, or 0.02 HDBH : 0.03, 0.05, 0.07, 0.1, or 0.2

Release 01.01

Oct 10th, 1999

2. Use the value of the Incoming Matching Loss to provision peripherals by referring to the appropriate traffic table.
- 

## 2.7. Traffic Table Descriptions

### 2.7.23. Table 1: Generic HDBH Traffic Capacity

Table 1 is a delay/loss table based on carried traffic and infinite sources that is used to determine the number of switched channels required to meet a specified level of blocking for a given CCS. The table ranges from Blocking levels of .1% to 20%. This table is used for a majority of the DMS100 Family of products.

### 2.7.24. Table 2A: RLCM/OPAC HDBH Traffic Capacity (CCS)

1. Select the appropriate column for the expected percentage (%) Intra office Traffic (e.g. 60%). If the expected percentage (%) is not in the table, use the column for the next lowest percentage.
2. Beginning in the 2 links per RLCM/OPAC table, select the number of channels per LCM by choosing the appropriate row that is greater than or equal to the value of CCS per LCM.
3. If the CCS/LCM exceeds the values in the table, move to the next table with an increased number of links per RLCM/OPAC.
4. Read the number of channels per LCM from the left side of the table.
5. Add the number of Bbs, Bds, and message channels to the value determined in step #4. There are 2 messaging channels per ISDN Line Drawer and 2 additional channels for RLCM messaging. Divide your answer by 24 channels per link. If the result is greater than the links per RLCM/OPAC used in step #3, move to the next table and repeat steps #3 through #5. If number of links is greater than 6, change your configuration to reduce the the CCS/LCM (deload), and then recalculate based on the revised configuration.

### 2.7.25. Table 2B: IRLCM HDBH Traffic Capacity (CCS)

Table 2B is used in a similar manner to Table 2A, where the Remote site is served by IRLCM utilizing PCM-30 digital spans.

Table 2B defines the HDBH capacity for the International RLCM (IRLCM) version of the Remote Line Concentrating Module. The principal difference between this model and the domestic RLCM is that Host-bound links employ the PCM-30 format. This means that all channels from an LCA port equipped with PCM-30 will go to the Host and none will be available for use as intra- channels. Only unequipped ports provide inter / intra-channels. It

Release 01.01

Oct 10th, 1999

should be noted that five (5) and six (6) link IRLCM configurations cannot support intra-switching due to the lack of intra-channels.

### **2.7.26. Table 3A: DMS100 Local Network Capacities**

1. Given a figure for Total Two-way CCS, start with column for ABSBH blocking factor (IML) of .001.
2. Read down this column to find the total two-way CCS figure which is greater than or equal to the required value.
3. Read left to find the number of network modules required
4. Repeat this process using the column for HDBH, IML = .01
5. The number of network modules required will be the higher of these two figures, or the maximum number of modules according to physical network requirements.

### **2.7.27. Table 3B: DMS200 Offices and DMS100/200 Toll Offices**

1. Use this table in the same way as Table 3A, for DMS200 offices and for DMS100/200 Toll offices or offices combining Local/Toll networks.

### **2.7.28. Table 4A: Total DRA Traffic (CCS) for NT0X48 Network (Note: use table 5 for ENET offices)**

Table 4A is used to calculate the required DRA channels for a given CCS and blocking level in a NT0X48 Junctored Network.

### **2.7.29. Table 4B: Total DRA Traffic (CCS) for NT5X13/8X11 Network (Note: use table 5 for ENET offices)**

Table 4B is used to calculate the required DRA channels for a given CCS and blocking level in NT5X13/8X11 Junctored Network.

### **2.7.30. Table 5: Service Circuit Capacity (Poisson Theory)**

Table 5 is used to calculate the required servers given total CCS and a blocking level.

### **2.7.31. Table 6: MF Receiver Holding Time**

Table 6 gives average MF receiver holding times for different call types.

### **2.7.32. Table 7: Digitone Receiver Holding Time**

Table 7 gives average digitone receiver holding times for different call types.

Release 01.01

Oct 10th, 1999

**2.7.33. Table 8: CMR Modem Holding Times**

Table 8 is used for typical modem holding times.

**2.7.34. Table 9: DWS ISUP Trunks HDBH (CCS)**

Table 9 is used to calculate the required DS-1s to handle the total CCS given a specific H0/H11 load ratio.

**2.7.35. Table A: Attendant Console Traffic Capacity**

1. Number of consoles = (Traffic offered in CCS/36) + (Value for AWT)
2. Figures to the left of this line represent occupancies greater than 92%.
3. With an upper limit for attendant occupancies of no greater than 92% (or 33.12 CCS per attendant), the number of attendant consoles required (for values of attendant console activated CCS/36 to the left of this line) is determined by the following formula:

$$\# \text{ Attendant Consoles} = \text{Traffic offered in CCS} / 33.12$$

**2.8. Traffic Tables**

**2.8.36. Traffic Table Methodology**

NORTEL estimates of Peripheral Module Traffic Capacities are based upon computerized mathematical models of each PM, incorporating all of the relevant internal switching arrangements and priorities. The theoretical basis for capacity models employed in DMS100F is the Delay/Loss Model adapted for Infinite Sources in the manner developed by Engset. Assumptions embodied in each PM Model include the number of independent sources, exponential call holding time distributions with a mean of 100 seconds, the ratio of originating calls to terminating calls is 0.55/0.45. Call originations are queued until a channel to the network is free, whereas calls terminating to the PM are blocked if no free channel exists. The Traffic capacities used are single-hour values except when ABSBH values are quoted, and reference the Carried traffic as opposed to Offered traffic. No account is taken of customer repeat attempt on encountering blocking or on second attempts initiated by the system to locate a free channel.

**2.8.37. Table 1: Generic HDBH Traffic Capacity**

<p><b>Generic HDBH Traffic Capacity (.5% to 6%) (Carried Load)</b></p>
--

Release 01.01

Oct 10th, 1999

<b>CHs</b>	<b>P(0.005)</b>	<b>P(0.01)</b>	<b>P(0.02)</b>	<b>P(0.03)</b>	<b>P(0.04)</b>	<b>P(0.05)</b>	<b>P(0.06)</b>
4	24	30	37	42	46	50	53
5	39	47	56	62	68	72	76
6	56	65	77	84	91	96	100
7	75	86	99	108	115	121	126
8	94	107	122	132	140	147	153
9	115	129	146	158	166	174	180
10	137	153	171	183	193	201	208
11	159	176	197	210	220	229	236
12	182	201	223	237	248	257	265
13	206	226	249	265	276	286	295
14	230	251	276	292	305	315	324
15	255	277	303	321	334	345	354
16	280	304	331	349	363	374	384
17	305	330	359	378	393	404	415
18	331	357	387	407	422	435	445
19	357	385	416	436	452	465	476
20	384	412	445	466	482	496	507
21	410	440	474	496	513	526	538
22	437	468	503	526	543	557	570
23	464	496	532	556	574	589	601
24	492	524	562	586	605	620	633
25	519	553	592	617	636	651	664

Release 01.01

Oct 10th, 1999

26	547	582	621	647	667	683	696
27	575	611	651	678	698	714	728
28	603	640	682	709	729	746	760
29	631	669	712	740	761	778	792
30	660	698	742	771	792	810	825
<b>CHs</b>	<b>P(0.005)</b>	<b>P(0.01)</b>	<b>P(0.02)</b>	<b>P(0.03)</b>	<b>P(0.04)</b>	<b>P(0.05)</b>	<b>P(0.06)</b>
31	688	728	773	802	824	842	857
32	717	757	803	833	856	874	890
33	746	787	834	865	888	906	922
34	775	817	865	896	919	939	955
35	804	847	896	928	952	971	987
36	833	877	927	959	984	1003	1020
37	862	907	958	991	1016	1036	1053
38	891	937	989	1023	1048	1068	1086
39	921	968	1021	1055	1080	1101	1119
40	950	998	1052	1087	1113	1134	1152
41	980	1029	1083	1119	1145	1166	1185
42	1010	1059	1115	1151	1178	1199	1218
43	1040	1090	1146	1183	1210	1232	1251
44	1070	1121	1178	1215	1243	1265	1284
45	1100	1152	1210	1247	1275	1298	1317
46	1130	1182	1242	1279	1308	1331	1350

Release 01.01

Oct 10th, 1999

47	1160	1213	1273	1312	1341	1364	1384
48	1190	1244	1305	1344	1374	1397	1417
49	1221	1275	1337	1377	1406	1430	1451
50	1251	1307	1369	1409	1439	1464	1484
51	1281	1338	1401	1442	1472	1497	1517
52	1312	1369	1433	1474	1505	1530	1551
53	1342	1400	1465	1507	1538	1563	1584
54	1373	1432	1498	1540	1571	1597	1618
55	1404	1463	1530	1572	1604	1630	1652
56	1434	1495	1562	1605	1637	1663	1685
57	1465	1526	1594	1638	1671	1697	1719
58	1496	1558	1627	1671	1704	1730	1753
59	1527	1589	1659	1704	1737	1764	1786
60	1558	1621	1692	1737	1770	1797	1820

<b>Generic HDBH Traffic Capacity (.5% to 6%) (Carried Load)</b>							
<b>CHs</b>	<b>P(0.005)</b>	<b>P(0.01)</b>	<b>P(0.02)</b>	<b>P(0.03)</b>	<b>P(0.04)</b>	<b>P(0.05)</b>	<b>P(0.06)</b>
61	1589	1653	1724	1770	1804	1831	1854
62	1620	1685	1757	1803	1837	1865	1888
63	1651	1716	1789	1836	1870	1898	1922
64	1682	1748	1822	1869	1904	1932	1956

Release 01.01

Oct 10th, 1999

65	1714	1780	1854	1902	1937	1966	1989
66	1745	1812	1887	1935	1971	1999	2023
67	1776	1844	1920	1968	2004	2033	2057
68	1807	1876	1952	2001	2038	2067	2091
69	1839	1908	1985	2034	2071	2101	2125
70	1870	1940	2018	2068	2105	2134	2159
71	1902	1972	2051	2101	2138	2168	2193
72	1933	2004	2084	2134	2172	2202	2227
73	1965	2036	2116	2167	2205	2236	2262
74	1996	2069	2149	2201	2239	2270	2296
75	2028	2101	2182	2234	2273	2304	2330
76	2059	2133	2215	2268	2306	2338	2364
77	2091	2165	2248	2301	2340	2372	2398
78	2123	2198	2281	2334	2374	2406	2432
79	2154	2230	2314	2368	2408	2440	2466
80	2186	2262	2347	2401	2442	2474	2501
81	2218	2295	2380	2435	2475	2508	2535
82	2250	2327	2414	2468	2509	2542	2569
83	2282	2360	2447	2502	2543	2576	2603
84	2313	2392	2480	2535	2577	2610	2638
85	2345	2425	2513	2569	2611	2644	2672
86	2377	2457	2546	2603	2645	2678	2706
87	2409	2490	2579	2636	2679	2712	2741



Release 01.01

Oct 10th, 1999

88	2441	2522	2613	2670	2712	2747	2775
89	2473	2555	2646	2704	2746	2781	2809
90	2505	2588	2679	2737	2780	2815	2844

<b>Generic HDBH Traffic Capacity (.5% to 6%) (Carried Load)</b>							
<b>CHs</b>	<b>P(0.005)</b>	<b>P(0.01)</b>	<b>P(0.02)</b>	<b>P(0.03)</b>	<b>P(0.04)</b>	<b>P(0.05)</b>	<b>P(0.06)</b>
91	2537	2620	2713	2771	2814	2849	2878
92	2570	2653	2746	2805	2848	2883	2912
93	2602	2686	2779	2838	2882	2918	2947
94	2634	2719	2813	2872	2916	2952	2981
95	2666	2751	2846	2906	2950	2986	3016
96	2698	2784	2879	2940	2985	3020	3050
97	2730	2817	2913	2974	3019	3055	3085
98	2763	2850	2946	3007	3053	3089	3119
99	2795	2883	2980	3041	3087	3123	3154
100	2827	2915	3013	3075	3121	3158	3188
101	2860	2948	3047	3109	3155	3192	3223
102	2892	2981	3080	3143	3189	3226	3257
103	2924	3014	3114	3177	3223	3261	3292
104	2957	3047	3147	3211	3258	3295	3326
105	2989	3080	3181	3244	3292	3329	3361

Release 01.01

Oct 10th, 1999

106	3021	3113	3214	3278	3326	3364	3395
107	3054	3146	3248	3312	3360	3398	3430
108	3086	3179	3282	3346	3394	3433	3465
109	3119	3212	3315	3380	3429	3467	3499
110	3151	3245	3349	3414	3463	3502	3534
111	3184	3278	3382	3448	3497	3536	3568
112	3216	3311	3416	3482	3531	3571	3603
113	3249	3344	3450	3516	3566	3605	3638
114	3281	3377	3483	3550	3600	3640	3672
115	3314	3410	3517	3584	3634	3674	3707
116	3347	3444	3551	3619	3669	3709	3742
117	3379	3477	3585	3653	3703	3743	3776
118	3412	3510	3618	3687	3737	3778	3811
119	3445	3543	3652	3721	3772	3812	3846
120	3477	3576	3686	3755	3806	3847	3881
<b>CHs</b>	<b>P(0.005)</b>	<b>P(0.01)</b>	<b>P(0.02)</b>	<b>P(0.03)</b>	<b>P(0.04)</b>	<b>P(0.05)</b>	<b>P(0.06)</b>
121	3510	3610	3720	3789	3840	3881	3915
122	3543	3643	3753	3823	3875	3916	3950
123	3575	3676	3787	3857	3909	3950	3985
124	3608	3709	3821	3891	3944	3985	4019
125	3641	3743	3855	3926	3978	4020	4054
126	3674	3776	3889	3960	4012	4054	4089

Release 01.01

Oct 10th, 1999

127	3707	3809	3923	3994	4047	4089	4124
128	3739	3843	3956	4028	4081	4123	4159
129	3772	3876	3990	4062	4116	4158	4193
130	3805	3909	4024	4097	4150	4193	4228
131	3838	3943	4058	4131	4185	4227	4263
132	3871	3976	4092	4165	4219	4262	4298
133	3904	4009	4126	4199	4254	4297	4333
134	3937	4043	4160	4234	4288	4331	4367
135	3969	4076	4194	4268	4323	4366	4402
136	4002	4110	4228	4302	4357	4401	4437
137	4035	4143	4262	4336	4392	4436	4472
138	4068	4176	4296	4371	4426	4470	4507
139	4101	4210	4330	4405	4461	4505	4542
140	4134	4243	4364	4439	4495	4540	4576
141	4167	4277	4398	4474	4530	4574	4611
142	4200	4310	4432	4508	4564	4609	4646
143	4233	4344	4466	4542	4599	4644	4681
144	4266	4377	4500	4577	4634	4679	4716
145	4299	4411	4534	4611	4668	4713	4751
146	4332	4444	4568	4645	4703	4748	4786
147	4365	4478	4602	4680	4737	4783	4821
148	4399	4511	4636	4714	4772	4818	4856
149	4432	4545	4670	4749	4807	4852	4891

Release 01.01

Oct 10th, 1999

150	4465	4579	4704	4783	4841	4887	4925
-----	------	------	------	------	------	------	------

<b>Generic HDBH Traffic Capacity (.5% to 6%) (Carried Load)</b>							
<b>CHs</b>	<b>P(0.005)</b>	<b>P(0.01)</b>	<b>P(0.02)</b>	<b>P(0.03)</b>	<b>P(0.04)</b>	<b>P(0.05)</b>	<b>P(0.06)</b>
151	4498	4612	4738	4817	4876	4922	4960
152	4531	4646	4772	4852	4910	4957	4995
153	4564	4679	4807	4886	4945	4992	5030
154	4597	4713	4841	4921	4980	5026	5065
155	4630	4747	4875	4955	5014	5061	5100
156	4664	4780	4909	4990	5049	5096	5135
157	4697	4814	4943	5024	5084	5131	5170
158	4730	4848	4977	5058	5118	5166	5205
159	4763	4881	5011	5093	5153	5201	5240
160	4796	4915	5046	5127	5188	5236	5275
161	4830	4949	5080	5162	5222	5270	5310
162	4863	4982	5114	5196	5257	5305	5345
163	4896	5016	5148	5231	5292	5340	5380
164	4929	5050	5182	5265	5327	5375	5415
165	4963	5084	5217	5300	5361	5410	5450
166	4996	5117	5251	5334	5396	5445	5485
167	5029	5151	5285	5369	5431	5480	5520

Release 01.01

Oct 10th, 1999

168	5063	5185	5319	5403	5465	5515	5555
169	5096	5219	5353	5438	5500	5549	5590
170	5129	5252	5388	5473	5535	5584	5625
171	5162	5286	5422	5507	5570	5619	5660
172	5196	5320	5456	5542	5604	5654	5695
173	5229	5354	5491	5576	5639	5689	5730
174	5263	5387	5525	5611	5674	5724	5765
175	5296	5421	5559	5645	5709	5759	5800
176	5329	5455	5593	5680	5744	5794	5836
177	5363	5489	5628	5714	5778	5829	5871
178	5396	5523	5662	5749	5813	5864	5906
179	5429	5557	5696	5784	5848	5899	5941
180	5463	5590	5731	5818	5883	5934	5976

<b>Generic HDBH Traffic Capacity (.5% to 6%) (Carried Load)</b>							
<b>CHs</b>	<b>P(0.005)</b>	<b>P(0.01)</b>	<b>P(0.02)</b>	<b>P(0.03)</b>	<b>P(0.04)</b>	<b>P(0.05)</b>	<b>P(0.06)</b>
181	5496	5624	5765	5853	5918	5969	6011
182	5530	5658	5799	5888	5952	6004	6046
183	5563	5692	5834	5922	5987	6039	6081
184	5597	5726	5868	5957	6022	6074	6116
185	5630	5760	5902	5991	6057	6109	6151

Release 01.01

Oct 10th, 1999

186	5664	5794	5937	6026	6092	6144	6186
187	5697	5828	5971	6061	6126	6179	6222
188	5731	5862	6005	6095	6161	6214	6257
189	5764	5895	6040	6130	6196	6249	6292
190	5797	5929	6074	6165	6231	6284	6327
191	5831	5963	6109	6199	6266	6319	6362
192	5865	5997	6143	6234	6301	6354	6397
193	5898	6031	6177	6269	6336	6389	6432
194	5932	6065	6212	6303	6370	6424	6467
195	5965	6099	6246	6338	6405	6459	6503
196	5999	6133	6281	6373	6440	6494	6538
197	6032	6167	6315	6407	6475	6529	6573
198	6066	6201	6349	6442	6510	6564	6608
199	6099	6235	6384	6477	6545	6599	6643
200	6133	6269	6418	6511	6580	6634	6678
201	6167	6303	6453	6546	6615	6669	6713
202	6200	6337	6487	6581	6650	6704	6749
203	6234	6371	6522	6616	6685	6739	6784
204	6267	6405	6556	6650	6719	6774	6819
205	6301	6439	6591	6685	6754	6809	6854
206	6335	6473	6625	6720	6789	6844	6889
207	6368	6507	6660	6755	6824	6879	6925
208	6402	6541	6694	6789	6859	6914	6960

Release 01.01

Oct 10th, 1999

209	6435	6575	6728	6824	6894	6949	6995
210	6469	6609	6763	6859	6929	6984	7030

<b>Generic HDBH Traffic Capacity (.5% to 6%) (Carried Load)</b>							
<b>CHs</b>	<b>P(0.005)</b>	<b>P(0.01)</b>	<b>P(0.02)</b>	<b>P(0.03)</b>	<b>P(0.04)</b>	<b>P(0.05)</b>	<b>P(0.06)</b>
211	6503	6643	6797	6894	6964	7020	7065
212	6536	6677	6832	6928	6999	7055	7101
213	6570	6712	6866	6963	7034	7090	7136
214	6604	6746	6901	6998	7069	7125	7171
215	6637	6780	6936	7033	7104	7160	7206
216	6671	6814	6970	7067	7139	7195	7241
217	6705	6848	7005	7102	7174	7230	7277
218	6739	6882	7039	7137	7209	7265	7312
219	6772	6916	7074	7172	7244	7300	7347
220	6806	6950	7108	7207	7279	7336	7382
221	6840	6984	7143	7241	7314	7371	7418
222	6873	7018	7177	7276	7349	7406	7453
223	6907	7053	7212	7311	7384	7441	7488
224	6941	7087	7246	7346	7419	7476	7523
225	6975	7121	7281	7381	7454	7511	7558
226	7008	7155	7316	7416	7489	7546	7594

Release 01.01

Oct 10th, 1999

227	7042	7189	7350	7450	7524	7581	7629
228	7076	7223	7385	7485	7559	7617	7664
229	7110	7258	7419	7520	7594	7652	7699
230	7144	7292	7454	7555	7629	7687	7735
231	7177	7326	7488	7590	7664	7722	7770
232	7211	7360	7523	7625	7699	7757	7805
233	7245	7394	7558	7659	7734	7792	7841
234	7279	7428	7592	7694	7769	7828	7876
235	7312	7463	7627	7729	7804	7863	7911
236	7346	7497	7661	7764	7839	7898	7946
237	7380	7531	7696	7799	7874	7933	7982
238	7414	7565	7731	7834	7909	7968	8017
239	7448	7599	7765	7869	7944	8003	8052
240	7482	7634	7800	7903	7979	8039	8087

<b>Generic HDBH Traffic Capacity (.5% to 6%) (Carried Load)</b>							
<b>CHs</b>	<b>P(0.005)</b>	<b>P(0.01)</b>	<b>P(0.02)</b>	<b>P(0.03)</b>	<b>P(0.04)</b>	<b>P(0.05)</b>	<b>P(0.06)</b>
241	7515	7668	7835	7938	8014	8074	8123
242	7549	7702	7869	7973	8049	8109	8158
243	7583	7736	7904	8008	8084	8144	8193
244	7617	7771	7939	8043	8119	8179	8229



Release 01.01

Oct 10th, 1999

245	7651	7805	7973	8078	8154	8214	8264
246	7685	7839	8008	8113	8189	8250	8299
247	7719	7873	8043	8148	8224	8285	8335
248	7753	7908	8077	8183	8260	8320	8370
249	7786	7942	8112	8217	8295	8355	8405
250	7820	7976	8147	8252	8330	8391	8440
251	7854	8010	8181	8287	8365	8426	8476
252	7888	8045	8216	8322	8400	8461	8511
253	7922	8079	8251	8357	8435	8496	8546
254	7956	8113	8285	8392	8470	8531	8582
255	7990	8148	8320	8427	8505	8567	8617
256	8024	8182	8355	8462	8540	8602	8652
257	8058	8216	8389	8497	8575	8637	8688
258	8092	8250	8424	8532	8610	8672	8723
259	8126	8285	8459	8567	8646	8708	8758
260	8160	8319	8493	8602	8681	8743	8794
261	8193	8353	8528	8637	8716	8778	8829
262	8227	8388	8563	8672	8751	8813	8864
263	8261	8422	8598	8707	8786	8848	8900
264	8295	8456	8632	8741	8821	8884	8935
265	8329	8491	8667	8776	8856	8919	8970
266	8363	8525	8702	8811	8891	8954	9006
267	8397	8559	8736	8846	8927	8989	9041

Release 01.01

Oct 10th, 1999

268	8431	8594	8771	8881	8962	9025	9076
269	8465	8628	8806	8916	8997	9060	9112
270	8499	8662	8841	8951	9032	9095	9147
<b>CHs</b>	<b>P(0.005)</b>	<b>P(0.01)</b>	<b>P(0.02)</b>	<b>P(0.03)</b>	<b>P(0.04)</b>	<b>P(0.05)</b>	<b>P(0.06)</b>
271	8533	8697	8875	8986	9067	9130	9183
272	8567	8731	8910	9021	9102	9166	9218
273	8601	8766	8945	9056	9137	9201	9253
274	8635	8800	8980	9091	9172	9236	9289
275	8669	8834	9014	9126	9208	9272	9324
276	8703	8869	9049	9161	9243	9307	9359
277	8737	8903	9084	9196	9278	9342	9395
278	8771	8937	9119	9231	9313	9377	9430
279	8805	8972	9154	9266	9348	9413	9465
280	8839	9006	9188	9301	9383	9448	9501
281	8873	9041	9223	9336	9419	9483	9536
282	8907	9075	9258	9371	9454	9519	9572
283	8942	9109	9293	9406	9489	9554	9607
284	8976	9144	9327	9441	9524	9589	9642
285	9010	9178	9362	9476	9559	9624	9678
286	9044	9213	9397	9511	9594	9660	9713
287	9078	9247	9432	9546	9630	9695	9749
288	9112	9282	9467	9581	9665	9730	9784

Release 01.01

Oct 10th, 1999

289	9146	9316	9501	9616	9700	9766	9819
290	9180	9350	9536	9651	9735	9801	9855
291	9214	9385	9571	9686	9770	9836	9890
292	9248	9419	9606	9721	9806	9871	9926
293	9282	9454	9641	9756	9841	9907	9961
294	9316	9488	9676	9792	9876	9942	9996
295	9350	9523	9710	9827	9911	9977	10032
296	9385	9557	9745	9862	9946	10013	10067
297	9419	9592	9780	9897	9982	10048	10103
298	9453	9626	9815	9932	10017	10083	10138
299	9487	9660	9850	9967	10052	10119	10173
300	9521	9695	9884	10002	10087	10154	10209

<b>Generic HDBH Traffic Capacity (.5% to 6%) (Carried Load)</b>							
<b>CHs</b>	<b>P(0.005)</b>	<b>P(0.01)</b>	<b>P(0.02)</b>	<b>P(0.03)</b>	<b>P(0.04)</b>	<b>P(0.05)</b>	<b>P(0.06)</b>
301	9555	9729	9919	10037	10122	10189	10244
302	9589	9764	9954	10072	10158	10225	10280
303	9623	9798	9989	10107	10193	10260	10315
304	9658	9833	10024	10142	10228	10295	10350
305	9692	9867	10059	10177	10263	10331	10386
306	9726	9902	10094	10212	10298	10366	10421

Release 01.01

Oct 10th, 1999

307	9760	9936	10128	10247	10334	10401	10457
308	9794	9971	10163	10282	10369	10437	10492
309	9828	10005	10198	10317	10404	10472	10528
310	9862	10040	10233	10352	10439	10507	10563
311	9897	10074	10268	10388	10475	10543	10598
312	9931	10109	10303	10423	10510	10578	10634
313	9965	10143	10338	10458	10545	10613	10669
314	9999	10178	10372	10493	10580	10649	10705
315	10033	10212	10407	10528	10616	10684	10740
316	10068	10247	10442	10563	10651	10719	10776
317	10102	10281	10477	10598	10686	10755	10811
318	10136	10316	10512	10633	10721	10790	10847
319	10170	10350	10547	10668	10756	10826	10882
320	10204	10385	10582	10703	10792	10861	10917
321	10238	10420	10617	10739	10827	10896	10953
322	10273	10454	10652	10774	10862	10932	10988
323	10307	10489	10686	10809	10898	10967	11024
324	10341	10523	10721	10844	10933	11002	11059
325	10375	10558	10756	10879	10968	11038	11095
326	10410	10592	10791	10914	11003	11073	11130
327	10444	10627	10826	10949	11039	11108	11166
328	10478	10661	10861	10984	11074	11144	11201
329	10512	10696	10896	11019	11109	11179	11237

Release 01.01

Oct 10th, 1999

330	10546	10731	10931	11055	11144	11215	11272
-----	-------	-------	-------	-------	-------	-------	-------

<b>Generic HDBH Traffic Capacity (.5% to 6%) (Carried Load)</b>							
<b>CHs</b>	<b>P(0.005)</b>	<b>P(0.01)</b>	<b>P(0.02)</b>	<b>P(0.03)</b>	<b>P(0.04)</b>	<b>P(0.05)</b>	<b>P(0.06)</b>
331	10581	10765	10966	11090	11180	11250	11307
332	10615	10800	11001	11125	11215	11285	11343
333	10649	10834	11036	11160	11250	11321	11378
334	10683	10869	11071	11195	11285	11356	11414
335	10718	10903	11105	11230	11321	11392	11449
336	10752	10938	11140	11265	11356	11427	11485
337	10786	10973	11175	11300	11391	11462	11520
338	10820	11007	11210	11336	11427	11498	11556
339	10855	11042	11245	11371	11462	11533	11591
340	10889	11076	11280	11406	11497	11568	11627
341	10923	11111	11315	11441	11532	11604	11662
342	10957	11145	11350	11476	11568	11639	11698
343	10992	11180	11385	11511	11603	11675	11733
344	11026	11215	11420	11546	11638	11710	11769
345	11060	11249	11455	11582	11674	11745	11804
346	11095	11284	11490	11617	11709	11781	11840
347	11129	11319	11525	11652	11744	11816	11875

Release 01.01

Oct 10th, 1999

348	11163	11353	11560	11687	11779	11852	11911
349	11197	11388	11595	11722	11815	11887	11946
350	11232	11422	11630	11757	11850	11923	11982
351	11266	11457	11665	11793	11885	11958	12017
352	11300	11492	11700	11828	11921	11993	12053
353	11335	11526	11735	11863	11956	12029	12088
354	11369	11561	11769	11898	11991	12064	12124
355	11403	11596	11804	11933	12027	12100	12159
356	11438	11630	11839	11968	12062	12135	12195
357	11472	11665	11874	12004	12097	12170	12230
358	11506	11699	11909	12039	12133	12206	12266
359	11541	11734	11944	12074	12168	12241	12301
360	11575	11769	11979	12109	12203	12277	12337

<b>Generic HDBH Traffic Capacity (.5% to 6%) (Carried Load)</b>							
<b>CHs</b>	<b>P(0.005)</b>	<b>P(0.01)</b>	<b>P(0.02)</b>	<b>P(0.03)</b>	<b>P(0.04)</b>	<b>P(0.05)</b>	<b>P(0.06)</b>
361	11609	11803	12014	12144	12239	12312	12372
362	11644	11838	12049	12180	12274	12348	12408
363	11678	11873	12084	12215	12309	12383	12443
364	11712	11907	12119	12250	12345	12418	12479
365	11747	11942	12154	12285	12380	12454	12514

Release 01.01

Oct 10th, 1999

366	11781	11977	12189	12320	12415	12489	12550
367	11815	12011	12224	12355	12451	12525	12585
368	11850	12046	12259	12391	12486	12560	12621
369	11884	12081	12294	12426	12521	12596	12656
370	11918	12115	12329	12461	12557	12631	12692
371	11953	12150	12364	12496	12592	12666	12727
372	11987	12185	12399	12531	12627	12702	12763
373	12021	12219	12434	12567	12663	12737	12798
374	12056	12254	12469	12602	12698	12773	12834
375	12090	12289	12504	12637	12733	12808	12869
376	12124	12323	12539	12672	12769	12844	12905
377	12159	12358	12574	12708	12804	12879	12940
378	12193	12393	12609	12743	12839	12915	12976
379	12228	12427	12644	12778	12875	12950	13011
380	12262	12462	12679	12813	12910	12985	13047
381	12296	12497	12714	12848	12945	13021	13083
382	12331	12532	12749	12884	12981	13056	13118
383	12365	12566	12785	12919	13016	13092	13154
384	12400	12601	12820	12954	13051	13127	13189
385	12434	12636	12855	12989	13087	13163	13225
386	12468	12670	12890	13025	13122	13198	13260
387	12503	12705	12925	13060	13157	13234	13296
388	12537	12740	12960	13095	13193	13269	13331

Release 01.01

Oct 10th, 1999

389	12572	12775	12995	13130	13228	13305	13367
390	12606	12809	13030	13165	13264	13340	13402

<b>Generic HDBH Traffic Capacity (.5% to 6%) (Carried Load)</b>							
<b>CHs</b>	<b>P(0.005)</b>	<b>P(0.01)</b>	<b>P(0.02)</b>	<b>P(0.03)</b>	<b>P(0.04)</b>	<b>P(0.05)</b>	<b>P(0.06)</b>
391	12640	12844	13065	13201	13299	13376	13438
392	12675	12879	13100	13236	13334	13411	13473
393	12709	12913	13135	13271	13370	13446	13509
394	12744	12948	13170	13306	13405	13482	13545
395	12778	12983	13205	13342	13440	13517	13580
396	12812	13018	13240	13377	13476	13553	13616
397	12847	13052	13275	13412	13511	13588	13651
398	12881	13087	13310	13447	13547	13624	13687
399	12916	13122	13345	13483	13582	13659	13722
400	12950	13157	13380	13518	13617	13695	13758
401	12985	13191	13415	13553	13653	13730	13793
402	13019	13226	13450	13588	13688	13766	13829
403	13054	13261	13485	13624	13723	13801	13864
404	13088	13296	13521	13659	13759	13837	13900
405	13122	13330	13556	13694	13794	13872	13936
406	13157	13365	13591	13729	13830	13908	13971



Release 01.01

Oct 10th, 1999

407	13191	13400	13626	13765	13865	13943	14007
408	13226	13435	13661	13800	13900	13979	14042
409	13260	13469	13696	13835	13936	14014	14078
410	13295	13504	13731	13870	13971	14050	14113
411	13329	13539	13766	13906	14007	14085	14149
412	13364	13574	13801	13941	14042	14121	14185
413	13398	13608	13836	13976	14077	14156	14220
414	13433	13643	13871	14011	14113	14192	14256
415	13467	13678	13906	14047	14148	14227	14291
416	13501	13713	13941	14082	14184	14263	14327
417	13536	13747	13977	14117	14219	14298	14362
418	13570	13782	14012	14153	14254	14334	14398
419	13605	13817	14047	14188	14290	14369	14433
420	13639	13852	14082	14223	14325	14405	14469

<b>Generic HDBH Traffic Capacity (.5% to 6%) (Carried Load)</b>							
<b>CHs</b>	<b>P(0.005)</b>	<b>P(0.01)</b>	<b>P(0.02)</b>	<b>P(0.03)</b>	<b>P(0.04)</b>	<b>P(0.05)</b>	<b>P(0.06)</b>
421	13674	13887	14117	14258	14361	14440	14505
422	13708	13921	14152	14294	14396	14476	14540
423	13743	13956	14187	14329	14431	14511	14576
424	13777	13991	14222	14364	14467	14547	14611

Release 01.01

Oct 10th, 1999

425	13812	14026	14257	14400	14502	14582	14647
426	13846	14060	14292	14435	14538	14618	14683
427	13881	14095	14328	14470	14573	14653	14718
428	13915	14130	14363	14505	14608	14689	14754
429	13950	14165	14398	14541	14644	14724	14789
430	13984	14200	14433	14576	14679	14760	14825
431	14019	14234	14468	14611	14715	14795	14860
432	14053	14269	14503	14647	14750	14831	14896
433	14088	14304	14538	14682	14785	14866	14932
434	14122	14339	14573	14717	14821	14902	14967
435	14157	14374	14608	14752	14856	14937	15003
436	14191	14409	14644	14788	14892	14973	15038
437	14226	14443	14679	14823	14927	15008	15074
438	14260	14478	14714	14858	14963	15044	15110
439	14295	14513	14749	14894	14998	15079	15145
440	14330	14548	14784	14929	15033	15115	15181
441	14364	14583	14819	14964	15069	15150	15216
442	14399	14617	14854	15000	15104	15186	15252
443	14433	14652	14889	15035	15140	15221	15287
444	14468	14687	14925	15070	15175	15257	15323
445	14502	14722	14960	15105	15211	15292	15359
446	14537	14757	14995	15141	15246	15328	15394
447	14571	14792	15030	15176	15281	15363	15430

Release 01.01

Oct 10th, 1999

448	14606	14826	15065	15211	15317	15399	15465
449	14640	14861	15100	15247	15352	15434	15501
450	14675	14896	15135	15282	15388	15470	15537

<b>Generic HDBH Traffic Capacity (.5% to 6%) (Carried Load)</b>							
<b>CHs</b>	<b>P(0.005)</b>	<b>P(0.01)</b>	<b>P(0.02)</b>	<b>P(0.03)</b>	<b>P(0.04)</b>	<b>P(0.05)</b>	<b>P(0.06)</b>
451	14709	14931	15170	15317	15423	15505	15572
452	14744	14966	15206	15353	15459	15541	15608
453	14779	15001	15241	15388	15494	15577	15643
454	14813	15035	15276	15423	15530	15612	15679
455	14848	15070	15311	15459	15565	15648	15715
456	14882	15105	15346	15494	15600	15683	15750
457	14917	15140	15381	15529	15636	15719	15786
458	14951	15175	15417	15565	15671	15754	15821
459	14986	15210	15452	15600	15707	15790	15857
460	15021	15245	15487	15635	15742	15825	15893
461	15055	15279	15522	15671	15778	15861	15928
462	15090	15314	15557	15706	15813	15896	15964
463	15124	15349	15592	15741	15849	15932	16000
464	15159	15384	15627	15777	15884	15967	16035
465	15193	15419	15663	15812	15919	16003	16071

Release 01.01

Oct 10th, 1999

466	15228	15454	15698	15847	15955	16039	16106
467	15263	15489	15733	15883	15990	16074	16142
468	15297	15523	15768	15918	16026	16110	16178
469	15332	15558	15803	15953	16061	16145	16213
470	15366	15593	15838	15989	16097	16181	16249
471	15401	15628	15874	16024	16132	16216	16284
472	15435	15663	15909	16059	16168	16252	16320
473	15470	15698	15944	16095	16203	16287	16356
474	15505	15733	15979	16130	16239	16323	16391
475	15539	15768	16014	16165	16274	16358	16427
476	15574	15802	16049	16201	16310	16394	16463
477	15608	15837	16085	16236	16345	16430	16498
478	15643	15872	16120	16271	16380	16465	16534
479	15678	15907	16155	16307	16416	16501	16569
480	15712	15942	16190	16342	16451	16536	16605

<b>Generic HDBH Traffic Capacity (.5% to 6%) (Carried Load)</b>							
<b>CHs</b>	<b>P(0.005)</b>	<b>P(0.01)</b>	<b>P(0.02)</b>	<b>P(0.03)</b>	<b>P(0.04)</b>	<b>P(0.05)</b>	<b>P(0.06)</b>
481	15747	15977	16225	16377	16487	16572	16641
482	15782	16012	16261	16413	16522	16607	16676
483	15816	16047	16296	16448	16558	16643	16712

Release 01.01

Oct 10th, 1999

484	15851	16082	16331	16484	16593	16678	16748
485	15885	16116	16366	16519	16629	16714	16783
486	15920	16151	16401	16554	16664	16750	16819
487	15955	16186	16436	16590	16700	16785	16854
488	15989	16221	16472	16625	16735	16821	16890
489	16024	16256	16507	16660	16771	16856	16926
490	16058	16291	16542	16696	16806	16892	16961
491	16093	16326	16577	16731	16842	16927	16997
492	16128	16361	16612	16766	16877	16963	17033
493	16162	16396	16648	16802	16913	16999	17068
494	16197	16431	16683	16837	16948	17034	17104
495	16232	16465	16718	16872	16984	17070	17139
496	16266	16500	16753	16908	17019	17105	17175
497	16301	16535	16788	16943	17055	17141	17211
498	16336	16570	16824	16979	17090	17176	17246
499	16370	16605	16859	17014	17126	17212	17282
500	16405	16640	16894	17049	17161	17248	17318
501	16439	16675	16929	17085	17196	17283	17353
502	16474	16710	16964	17120	17232	17319	17389
503	16509	16745	17000	17155	17267	17354	17425
504	16543	16780	17035	17191	17303	17390	17460
505	16578	16815	17070	17226	17338	17425	17496
506	16613	16850	17105	17262	17374	17461	17531

Release 01.01

Oct 10th, 1999

507	16647	16885	17141	17297	17409	17497	17567
508	16682	16919	17176	17332	17445	17532	17603
509	16717	16954	17211	17368	17480	17568	17638
510	16751	16989	17246	17403	17516	17603	17674

<b>Generic HDBH Traffic Capacity (.5% to 6%) (Carried Load)</b>							
<b>CHs</b>	<b>P(0.005)</b>	<b>P(0.01)</b>	<b>P(0.02)</b>	<b>P(0.03)</b>	<b>P(0.04)</b>	<b>P(0.05)</b>	<b>P(0.06)</b>
511	16786	17024	17281	17439	17551	17639	17710
512	16821	17059	17317	17474	17587	17674	17745
513	16855	17094	17352	17509	17622	17710	17781
514	16890	17129	17387	17545	17658	17746	17817
515	16925	17164	17422	17580	17693	17781	17852
516	16959	17199	17458	17615	17729	17817	17888
517	16994	17234	17493	17651	17764	17852	17924
518	17029	17269	17528	17686	17800	17888	17959
519	17063	17304	17563	17722	17835	17924	17995
520	17098	17339	17598	17757	17871	17959	18031
521	17133	17374	17634	17792	17906	17995	18066
522	17167	17409	17669	17828	17942	18030	18102
523	17202	17444	17704	17863	17977	18066	18138
524	17237	17479	17739	17899	18013	18102	18173

Release 01.01

Oct 10th, 1999

525	17271	17513	17775	17934	18048	18137	18209
526	17306	17548	17810	17969	18084	18173	18244
527	17341	17583	17845	18005	18119	18208	18280
528	17376	17618	17880	18040	18155	18244	18316
529	17410	17653	17916	18076	18191	18279	18351
530	17445	17688	17951	18111	18226	18315	18387
531	17480	17723	17986	18146	18262	18351	18423
532	17514	17758	18021	18182	18297	18386	18458
533	17549	17793	18057	18217	18333	18422	18494
534	17584	17828	18092	18253	18368	18457	18530
535	17618	17863	18127	18288	18404	18493	18565
536	17653	17898	18162	18323	18439	18529	18601
537	17688	17933	18198	18359	18475	18564	18637
538	17723	17968	18233	18394	18510	18600	18672
539	17757	18003	18268	18430	18546	18635	18708
540	17792	18038	18303	18465	18581	18671	18744

<b>Table 1: Generic HDBH Traffic Capacity (7% to 20%)</b>							
<b>CHs</b>	<b>P(0.07)</b>	<b>P(0.08)</b>	<b>P(0.09)</b>	<b>P(0.1)</b>	<b>P(0.18)</b>	<b>P(0.19)</b>	<b>P(0.2)</b>
4	55	58	60	63	77	78	80
5	79	82	85	88	105	107	108
6	104	108	111	115	134	136	138

Release 01.01

Oct 10th, 1999

7	131	135	139	142	164	166	169
8	158	162	167	171	195	197	199
9	186	191	195	200	226	228	231
10	214	219	224	229	257	260	263
11	243	249	254	259	289	292	295
12	272	278	284	289	321	324	327
13	302	309	315	320	354	357	360
14	332	339	345	351	386	389	393
15	362	369	376	382	419	422	426
16	393	400	407	414	452	455	459
17	423	431	439	445	485	489	492
18	454	463	470	477	518	522	526
19	486	494	502	509	551	555	559
20	517	526	534	541	585	589	593
21	548	558	566	573	618	623	627
22	580	590	598	606	652	656	660
23	612	622	630	638	686	690	694
24	644	654	663	671	719	724	728
25	676	686	695	704	753	758	763
26	708	719	728	737	787	792	797
27	740	751	761	770	821	826	831
28	773	784	794	803	855	860	865
29	805	816	826	836	890	895	899



Release 01.01

Oct 10th, 1999

30	838	849	859	869	924	929	934
----	-----	-----	-----	-----	-----	-----	-----

<b>Table 1: Generic HDBH Traffic Capacity (7% to 20%)</b>							
<b>CHs</b>	<b>P(0.07)</b>	<b>P(0.08)</b>	<b>P(0.09)</b>	<b>P(0.1)</b>	<b>P(0.18)</b>	<b>P(0.19)</b>	<b>P(0.2)</b>
31	870	882	893	902	958	963	968
32	903	915	926	935	992	998	1003
33	936	948	959	969	1027	1032	1037
34	969	981	992	1002	1061	1067	1072
35	1002	1014	1025	1036	1095	1101	1106
36	1034	1047	1059	1069	1130	1136	1141
37	1068	1081	1092	1103	1164	1170	1176
38	1101	1114	1126	1137	1199	1205	1210
39	1134	1147	1159	1170	1234	1239	1245
40	1167	1181	1193	1204	1268	1274	1280
41	1200	1214	1227	1238	1303	1309	1315
42	1234	1248	1260	1272	1337	1344	1349
43	1267	1281	1294	1306	1372	1378	1384
44	1300	1315	1328	1339	1407	1413	1419
45	1334	1348	1362	1373	1442	1448	1454
46	1367	1382	1395	1407	1476	1483	1489
47	1401	1416	1429	1441	1511	1518	1524
48	1434	1450	1463	1476	1546	1553	1559

Release 01.01

Oct 10th, 1999

49	1468	1483	1497	1510	1581	1588	1594
50	1502	1517	1531	1544	1616	1623	1629
51	1535	1551	1565	1578	1651	1657	1664
52	1569	1585	1599	1612	1686	1692	1699
53	1603	1619	1633	1646	1721	1727	1734
54	1637	1653	1667	1681	1756	1762	1769
55	1670	1687	1702	1715	1791	1798	1804
56	1704	1721	1736	1749	1826	1833	1839
57	1738	1755	1770	1783	1861	1868	1874
58	1772	1789	1804	1818	1896	1903	1910
59	1806	1823	1838	1852	1931	1938	1945
60	1840	1857	1873	1887	1966	1973	1980

<b>Table 1: Generic HDBH Traffic Capacity (7% to 20%)</b>							
<b>CHs</b>	<b>P(0.07)</b>	<b>P(0.08)</b>	<b>P(0.09)</b>	<b>P(0.1)</b>	<b>P(0.18)</b>	<b>P(0.19)</b>	<b>P(0.2)</b>
61	1874	1891	1907	1921	2001	2008	2015
62	1908	1925	1941	1955	2036	2043	2050
63	1942	1960	1976	1990	2071	2078	2085
64	1976	1994	2010	2024	2106	2114	2121
65	2010	2028	2044	2059	2141	2149	2156
66	2044	2062	2079	2093	2176	2184	2191
67	2078	2097	2113	2128	2211	2219	2226

Release 01.01

Oct 10th, 1999

68	2112	2131	2148	2162	2247	2254	2262
69	2147	2165	2182	2197	2282	2290	2297
70	2181	2200	2216	2232	2317	2325	2332
71	2215	2234	2251	2266	2352	2360	2368
72	2249	2268	2285	2301	2387	2395	2403
73	2284	2303	2320	2336	2423	2431	2438
74	2318	2337	2355	2370	2458	2466	2473
75	2352	2372	2389	2405	2493	2501	2509
76	2386	2406	2424	2440	2528	2537	2544
77	2421	2441	2458	2474	2564	2572	2580
78	2455	2475	2493	2509	2599	2607	2615
79	2489	2510	2528	2544	2634	2642	2650
80	2524	2544	2562	2578	2670	2678	2686
81	2558	2579	2597	2613	2705	2713	2721
82	2593	2613	2632	2648	2740	2749	2756
83	2627	2648	2666	2683	2775	2784	2792
84	2661	2682	2701	2718	2811	2819	2827
85	2696	2717	2736	2752	2846	2855	2863
86	2730	2752	2770	2787	2882	2890	2898
87	2765	2786	2805	2822	2917	2925	2934
88	2799	2821	2840	2857	2952	2961	2969
89	2834	2855	2875	2892	2988	2996	3004
90	2868	2890	2909	2927	3023	3032	3040

Release 01.01

Oct 10th, 1999

<b>Table 1: Generic HDBH Traffic Capacity (7% to 20%)</b>							
<b>CHs</b>	<b>P(0.07)</b>	<b>P(0.08)</b>	<b>P(0.09)</b>	<b>P(0.1)</b>	<b>P(0.18)</b>	<b>P(0.19)</b>	<b>P(0.2)</b>
91	2903	2925	2944	2962	3058	3067	3075
92	2938	2959	2979	2996	3094	3103	3111
93	2972	2994	3014	3031	3129	3138	3146
94	3007	3029	3049	3066	3165	3173	3182
95	3041	3064	3083	3101	3200	3209	3217
96	3076	3098	3118	3136	3235	3244	3253
97	3110	3133	3153	3171	3271	3280	3288
98	3145	3168	3188	3206	3306	3315	3324
99	3180	3203	3223	3241	3342	3351	3359
100	3214	3237	3258	3276	3377	3386	3395
101	3249	3272	3293	3311	3413	3422	3430
102	3284	3307	3327	3346	3448	3457	3466
103	3318	3342	3362	3381	3483	3493	3501
104	3353	3377	3397	3416	3519	3528	3537
105	3388	3411	3432	3451	3554	3564	3572
106	3423	3446	3467	3486	3590	3599	3608
107	3457	3481	3502	3521	3625	3635	3644
108	3492	3516	3537	3556	3661	3670	3679
109	3527	3551	3572	3591	3696	3706	3715

Release 01.01

Oct 10th, 1999

110	3561	3586	3607	3626	3732	3741	3750
111	3596	3620	3642	3661	3767	3777	3786
112	3631	3655	3677	3696	3803	3812	3821
113	3666	3690	3712	3731	3838	3848	3857
114	3701	3725	3747	3766	3874	3883	3892
115	3735	3760	3782	3802	3909	3919	3928
116	3770	3795	3817	3837	3945	3955	3964
117	3805	3830	3852	3872	3980	3990	3999
118	3840	3865	3887	3907	4016	4026	4035
119	3875	3900	3922	3942	4052	4061	4070
120	3909	3935	3957	3977	4087	4097	4106

<b>Table 1: Generic HDBH Traffic Capacity (7% to 20%)</b>							
<b>CHs</b>	<b>P(0.07)</b>	<b>P(0.08)</b>	<b>P(0.09)</b>	<b>P(0.1)</b>	<b>P(0.18)</b>	<b>P(0.19)</b>	<b>P(0.2)</b>
121	3944	3970	3992	4012	4123	4132	4142
122	3979	4005	4027	4047	4158	4168	4177
123	4014	4040	4062	4083	4194	4204	4213
124	4049	4075	4097	4118	4229	4239	4249
125	4084	4110	4132	4153	4265	4275	4284
126	4119	4145	4167	4188	4300	4310	4320
127	4154	4180	4203	4223	4336	4346	4355
128	4188	4215	4238	4258	4372	4382	4391

Release 01.01

Oct 10th, 1999

129	4223	4250	4273	4294	4407	4417	4427
130	4258	4285	4308	4329	4443	4453	4462
131	4293	4320	4343	4364	4478	4488	4498
132	4328	4355	4378	4399	4514	4524	4534
133	4363	4390	4413	4434	4549	4560	4569
134	4398	4425	4448	4470	4585	4595	4605
135	4433	4460	4484	4505	4621	4631	4641
136	4468	4495	4519	4540	4656	4667	4676
137	4503	4530	4554	4575	4692	4702	4712
138	4538	4565	4589	4610	4727	4738	4748
139	4573	4600	4624	4646	4763	4773	4783
140	4608	4635	4659	4681	4799	4809	4819
141	4643	4670	4695	4716	4834	4845	4855
142	4678	4705	4730	4751	4870	4880	4890
143	4713	4740	4765	4787	4906	4916	4926
144	4748	4776	4800	4822	4941	4952	4962
145	4783	4811	4835	4857	4977	4987	4997
146	4818	4846	4870	4893	5012	5023	5033
147	4853	4881	4906	4928	5048	5059	5069
148	4888	4916	4941	4963	5084	5094	5104
149	4923	4951	4976	4998	5119	5130	5140
150	4958	4986	5011	5034	5155	5166	5176

Release 01.01

Oct 10th, 1999

<b>Table 1: Generic HDBH Traffic Capacity (7% to 20%)</b>							
<b>CHs</b>	<b>P(0.07)</b>	<b>P(0.08)</b>	<b>P(0.09)</b>	<b>P(0.1)</b>	<b>P(0.18)</b>	<b>P(0.19)</b>	<b>P(0.2)</b>
151	4993	5021	5047	5069	5191	5201	5211
152	5028	5057	5082	5104	5226	5237	5247
153	5063	5092	5117	5140	5262	5273	5283
154	5098	5127	5152	5175	5298	5308	5318
155	5133	5162	5188	5210	5333	5344	5354
156	5168	5197	5223	5246	5369	5380	5390
157	5203	5232	5258	5281	5405	5415	5426
158	5239	5268	5293	5316	5440	5451	5461
159	5274	5303	5329	5352	5476	5487	5497
160	5309	5338	5364	5387	5512	5522	5533
161	5344	5373	5399	5422	5547	5558	5568
162	5379	5408	5434	5458	5583	5594	5604
163	5414	5444	5470	5493	5619	5630	5640
164	5449	5479	5505	5528	5654	5665	5676
165	5484	5514	5540	5564	5690	5701	5711
166	5519	5549	5576	5599	5726	5737	5747
167	5555	5584	5611	5634	5761	5772	5783
168	5590	5620	5646	5670	5797	5808	5819
169	5625	5655	5681	5705	5833	5844	5854
170	5660	5690	5717	5740	5868	5880	5890

Release 01.01

Oct 10th, 1999

171	5695	5725	5752	5776	5904	5915	5926
172	5730	5761	5787	5811	5940	5951	5961
173	5765	5796	5823	5847	5975	5987	5997
174	5801	5831	5858	5882	6011	6022	6033
175	5836	5866	5893	5917	6047	6058	6069
176	5871	5902	5929	5953	6083	6094	6104
177	5906	5937	5964	5988	6118	6130	6140
178	5941	5972	5999	6024	6154	6165	6176
179	5976	6007	6035	6059	6190	6201	6212
180	6012	6043	6070	6094	6225	6237	6247

<b>Table 1: Generic HDBH Traffic Capacity (7% to 20%)</b>							
<b>CHs</b>	<b>P(0.07)</b>	<b>P(0.08)</b>	<b>P(0.09)</b>	<b>P(0.1)</b>	<b>P(0.18)</b>	<b>P(0.19)</b>	<b>P(0.2)</b>
181	6047	6078	6105	6130	6261	6273	6283
182	6082	6113	6141	6165	6297	6308	6319
183	6117	6148	6176	6201	6333	6344	6355
184	6152	6184	6211	6236	6368	6380	6390
185	6188	6219	6247	6271	6404	6415	6426
186	6223	6254	6282	6307	6440	6451	6462
187	6258	6290	6317	6342	6475	6487	6498
188	6293	6325	6353	6378	6511	6523	6534
189	6328	6360	6388	6413	6547	6558	6569



Release 01.01

Oct 10th, 1999

190	6364	6396	6424	6449	6583	6594	6605
191	6399	6431	6459	6484	6618	6630	6641
192	6434	6466	6494	6519	6654	6666	6677
193	6469	6501	6530	6555	6690	6701	6712
194	6505	6537	6565	6590	6726	6737	6748
195	6540	6572	6601	6626	6761	6773	6784
196	6575	6607	6636	6661	6797	6809	6820
197	6610	6643	6671	6697	6833	6844	6855
198	6646	6678	6707	6732	6868	6880	6891
199	6681	6713	6742	6768	6904	6916	6927
200	6716	6749	6778	6803	6940	6952	6963
201	6751	6784	6813	6839	6976	6988	6999
202	6787	6819	6848	6874	7011	7023	7034
203	6822	6855	6884	6910	7047	7059	7070
204	6857	6890	6919	6945	7083	7095	7106
205	6892	6926	6955	6980	7119	7131	7142
206	6928	6961	6990	7016	7154	7166	7178
207	6963	6996	7025	7051	7190	7202	7213
208	6998	7032	7061	7087	7226	7238	7249
209	7034	7067	7096	7122	7262	7274	7285
210	7069	7102	7132	7158	7297	7309	7321

Release 01.01

Oct 10th, 1999

<b>Table 1: Generic HDBH Traffic Capacity (7% to 20%)</b>							
<b>CHs</b>	<b>P(0.07)</b>	<b>P(0.08)</b>	<b>P(0.09)</b>	<b>P(0.1)</b>	<b>P(0.18)</b>	<b>P(0.19)</b>	<b>P(0.2)</b>
211	7104	7138	7167	7193	7333	7345	7357
212	7139	7173	7203	7229	7369	7381	7392
213	7175	7208	7238	7264	7405	7417	7428
214	7210	7244	7274	7300	7441	7453	7464
215	7245	7279	7309	7335	7476	7488	7500
216	7281	7315	7344	7371	7512	7524	7536
217	7316	7350	7380	7406	7548	7560	7571
218	7351	7385	7415	7442	7584	7596	7607
219	7387	7421	7451	7477	7619	7632	7643
220	7422	7456	7486	7513	7655	7667	7679
221	7457	7492	7522	7548	7691	7703	7715
222	7493	7527	7557	7584	7727	7739	7750
223	7528	7562	7593	7619	7762	7775	7786
224	7563	7598	7628	7655	7798	7811	7822
225	7599	7633	7664	7691	7834	7846	7858
226	7634	7669	7699	7726	7870	7882	7894
227	7669	7704	7735	7762	7906	7918	7929
228	7705	7739	7770	7797	7941	7954	7965
229	7740	7775	7805	7833	7977	7990	8001
230	7775	7810	7841	7868	8013	8025	8037
231	7811	7846	7876	7904	8049	8061	8073

Release 01.01

Oct 10th, 1999

232	7846	7881	7912	7939	8084	8097	8109
233	7881	7917	7947	7975	8120	8133	8144
234	7917	7952	7983	8010	8156	8169	8180
235	7952	7987	8018	8046	8192	8204	8216
236	7987	8023	8054	8081	8228	8240	8252
237	8023	8058	8089	8117	8263	8276	8288
238	8058	8094	8125	8153	8299	8312	8323
239	8093	8129	8160	8188	8335	8348	8359
240	8129	8165	8196	8224	8371	8383	8395

<b>Table 1: Generic HDBH Traffic Capacity (7% to 20%)</b>							
<b>CHs</b>	<b>P(0.07)</b>	<b>P(0.08)</b>	<b>P(0.09)</b>	<b>P(0.1)</b>	<b>P(0.18)</b>	<b>P(0.19)</b>	<b>P(0.2)</b>
241	8164	8200	8231	8259	8407	8419	8431
242	8200	8235	8267	8295	8442	8455	8467
243	8235	8271	8302	8330	8478	8491	8503
244	8270	8306	8338	8366	8514	8527	8538
245	8306	8342	8373	8401	8550	8562	8574
246	8341	8377	8409	8437	8586	8598	8610
247	8377	8413	8444	8473	8621	8634	8646
248	8412	8448	8480	8508	8657	8670	8682
249	8447	8484	8515	8544	8693	8706	8718
250	8483	8519	8551	8579	8729	8742	8753

Release 01.01

Oct 10th, 1999

251	8518	8555	8587	8615	8765	8777	8789
252	8553	8590	8622	8650	8800	8813	8825
253	8589	8626	8658	8686	8836	8849	8861
254	8624	8661	8693	8722	8872	8885	8897
255	8660	8696	8729	8757	8908	8921	8933
256	8695	8732	8764	8793	8944	8957	8968
257	8731	8767	8800	8828	8979	8992	9004
258	8766	8803	8835	8864	9015	9028	9040
259	8801	8838	8871	8900	9051	9064	9076
260	8837	8874	8906	8935	9087	9100	9112
261	8872	8909	8942	8971	9123	9136	9148
262	8908	8945	8977	9006	9159	9171	9184
263	8943	8980	9013	9042	9194	9207	9219
264	8978	9016	9049	9077	9230	9243	9255
265	9014	9051	9084	9113	9266	9279	9291
266	9049	9087	9120	9149	9302	9315	9327
267	9085	9122	9155	9184	9338	9351	9363
268	9120	9158	9191	9220	9373	9386	9399
269	9156	9193	9226	9255	9409	9422	9434
270	9191	9229	9262	9291	9445	9458	9470

**Table 1: Generic HDBH Traffic Capacity (7% to 20%)**

Release 01.01

Oct 10th, 1999

<b>CHs</b>	<b>P(0.07)</b>	<b>P(0.08)</b>	<b>P(0.09)</b>	<b>P(0.1)</b>	<b>P(0.18)</b>	<b>P(0.19)</b>	<b>P(0.2)</b>
271	9226	9264	9297	9327	9481	9494	9506
272	9262	9300	9333	9362	9517	9530	9542
273	9297	9335	9369	9398	9553	9566	9578
274	9333	9371	9404	9434	9588	9602	9614
275	9368	9406	9440	9469	9624	9637	9650
276	9404	9442	9475	9505	9660	9673	9685
277	9439	9477	9511	9540	9696	9709	9721
278	9475	9513	9546	9576	9732	9745	9757
279	9510	9548	9582	9612	9768	9781	9793
280	9545	9584	9617	9647	9803	9817	9829
281	9581	9619	9653	9683	9839	9852	9865
282	9616	9655	9689	9718	9875	9888	9901
283	9652	9690	9724	9754	9911	9924	9936
284	9687	9726	9760	9790	9947	9960	9972
285	9723	9762	9795	9825	9983	9996	10008
286	9758	9797	9831	9861	10018	10032	10044
287	9794	9833	9867	9897	10054	10068	10080
288	9829	9868	9902	9932	10090	10103	10116
289	9865	9904	9938	9968	10126	10139	10152
290	9900	9939	9973	10003	10162	10175	10188
291	9936	9975	10009	10039	10198	10211	10223
292	9971	10010	10044	10075	10233	10247	10259

Release 01.01

Oct 10th, 1999

293	10007	10046	10080	10110	10269	10283	10295
294	10042	10081	10116	10146	10305	10318	10331
295	10078	10117	10151	10182	10341	10354	10367
296	10113	10152	10187	10217	10377	10390	10403
297	10148	10188	10222	10253	10413	10426	10439
298	10184	10224	10258	10289	10448	10462	10474
299	10219	10259	10294	10324	10484	10498	10510
300	10255	10295	10329	10360	10520	10534	10546

<b>Table 1: Generic HDBH Traffic Capacity (7% to 20%)</b>							
<b>CHs</b>	<b>P(0.07)</b>	<b>P(0.08)</b>	<b>P(0.09)</b>	<b>P(0.1)</b>	<b>P(0.18)</b>	<b>P(0.19)</b>	<b>P(0.2)</b>
301	10290	10330	10365	10396	10556	10569	10582
302	10326	10366	10400	10431	10592	10605	10618
303	10361	10401	10436	10467	10628	10641	10654
304	10397	10437	10472	10502	10664	10677	10690
305	10432	10472	10507	10538	10699	10713	10726
306	10468	10508	10543	10574	10735	10749	10761
307	10503	10544	10579	10609	10771	10785	10797
308	10539	10579	10614	10645	10807	10821	10833
309	10574	10615	10650	10681	10843	10856	10869
310	10610	10650	10685	10716	10879	10892	10905
311	10645	10686	10721	10752	10914	10928	10941

Release 01.01

Oct 10th, 1999

312	10681	10721	10757	10788	10950	10964	10977
313	10716	10757	10792	10823	10986	11000	11013
314	10752	10792	10828	10859	11022	11036	11048
315	10787	10828	10863	10895	11058	11072	11084
316	10823	10864	10899	10930	11094	11107	11120
317	10858	10899	10935	10966	11130	11143	11156
318	10894	10935	10970	11002	11165	11179	11192
319	10930	10970	11006	11037	11201	11215	11228
320	10965	11006	11042	11073	11237	11251	11264
321	11001	11042	11077	11109	11273	11287	11300
322	11036	11077	11113	11144	11309	11323	11335
323	11072	11113	11148	11180	11345	11359	11371
324	11107	11148	11184	11216	11381	11394	11407
325	11143	11184	11220	11251	11416	11430	11443
326	11178	11219	11255	11287	11452	11466	11479
327	11214	11255	11291	11323	11488	11502	11515
328	11249	11291	11327	11358	11524	11538	11551
329	11285	11326	11362	11394	11560	11574	11587
330	11320	11362	11398	11430	11596	11610	11623

<b>Table 1: Generic HDBH Traffic Capacity (7% to 20%)</b>							
CHs	P(0.07)	P(0.08)	P(0.09)	P(0.1)	P(0.18)	P(0.19)	P(0.2)

Release 01.01

Oct 10th, 1999

331	11356	11397	11434	11465	11632	11646	11658
332	11391	11433	11469	11501	11667	11681	11694
333	11427	11469	11505	11537	11703	11717	11730
334	11462	11504	11540	11573	11739	11753	11766
335	11498	11540	11576	11608	11775	11789	11802
336	11534	11575	11612	11644	11811	11825	11838
337	11569	11611	11647	11680	11847	11861	11874
338	11605	11647	11683	11715	11883	11897	11910
339	11640	11682	11719	11751	11919	11933	11946
340	11676	11718	11754	11787	11954	11968	11981
341	11711	11753	11790	11822	11990	12004	12017
342	11747	11789	11826	11858	12026	12040	12053
343	11782	11825	11861	11894	12062	12076	12089
344	11818	11860	11897	11929	12098	12112	12125
345	11853	11896	11933	11965	12134	12148	12161
346	11889	11931	11968	12001	12170	12184	12197
347	11925	11967	12004	12037	12205	12220	12233
348	11960	12003	12040	12072	12241	12255	12269
349	11996	12038	12075	12108	12277	12291	12304
350	12031	12074	12111	12144	12313	12327	12340
351	12067	12109	12147	12179	12349	12363	12376
352	12102	12145	12182	12215	12385	12399	12412
353	12138	12181	12218	12251	12421	12435	12448



Release 01.01

Oct 10th, 1999

354	12174	12216	12254	12286	12457	12471	12484
355	12209	12252	12289	12322	12492	12507	12520
356	12245	12288	12325	12358	12528	12543	12556
357	12280	12323	12361	12394	12564	12578	12592
358	12316	12359	12396	12429	12600	12614	12628
359	12351	12394	12432	12465	12636	12650	12663
360	12387	12430	12468	12501	12672	12686	12699

<b>Table 1: Generic HDBH Traffic Capacity (7% to 20%)</b>							
CHs	P(0.07)	P(0.08)	P(0.09)	P(0.1)	P(0.18)	P(0.19)	P(0.2)
361	12422	12466	12503	12536	12708	12722	12735
362	12458	12501	12539	12572	12744	12758	12771
363	12494	12537	12575	12608	12779	12794	12807
364	12529	12573	12610	12644	12815	12830	12843
365	12565	12608	12646	12679	12851	12866	12879
366	12600	12644	12682	12715	12887	12901	12915
367	12636	12679	12717	12751	12923	12937	12951
368	12672	12715	12753	12786	12959	12973	12987
369	12707	12751	12789	12822	12995	13009	13022
370	12743	12786	12824	12858	13031	13045	13058
371	12778	12822	12860	12894	13067	13081	13094
372	12814	12858	12896	12929	13102	13117	13130

Release 01.01

Oct 10th, 1999

373	12849	12893	12931	12965	13138	13153	13166
374	12885	12929	12967	13001	13174	13189	13202
375	12921	12965	13003	13036	13210	13224	13238
376	12956	13000	13038	13072	13246	13260	13274
377	12992	13036	13074	13108	13282	13296	13310
378	13027	13071	13110	13144	13318	13332	13346
379	13063	13107	13145	13179	13354	13368	13381
380	13099	13143	13181	13215	13389	13404	13417
381	13134	13178	13217	13251	13425	13440	13453
382	13170	13214	13253	13286	13461	13476	13489
383	13205	13250	13288	13322	13497	13512	13525
384	13241	13285	13324	13358	13533	13548	13561
385	13277	13321	13360	13394	13569	13583	13597
386	13312	13357	13395	13429	13605	13619	13633
387	13348	13392	13431	13465	13641	13655	13669
388	13383	13428	13467	13501	13677	13691	13705
389	13419	13464	13502	13537	13712	13727	13741
390	13455	13499	13538	13572	13748	13763	13776

<b>Table 1: Generic HDBH Traffic Capacity (7% to 20%)</b>							
<b>CHs</b>	<b>P(0.07)</b>	<b>P(0.08)</b>	<b>P(0.09)</b>	<b>P(0.1)</b>	<b>P(0.18)</b>	<b>P(0.19)</b>	<b>P(0.2)</b>
391	13490	13535	13574	13608	13784	13799	13812

Release 01.01

Oct 10th, 1999

392	13526	13571	13610	13644	13820	13835	13848
393	13561	13606	13645	13679	13856	13871	13884
394	13597	13642	13681	13715	13892	13907	13920
395	13633	13678	13717	13751	13928	13942	13956
396	13668	13713	13752	13787	13964	13978	13992
397	13704	13749	13788	13822	14000	14014	14028
398	13739	13785	13824	13858	14035	14050	14064
399	13775	13820	13859	13894	14071	14086	14100
400	13811	13856	13895	13930	14107	14122	14136
401	13846	13892	13931	13965	14143	14158	14172
402	13882	13927	13967	14001	14179	14194	14207
403	13917	13963	14002	14037	14215	14230	14243
404	13953	13999	14038	14073	14251	14266	14279
405	13989	14034	14074	14108	14287	14301	14315
406	14024	14070	14109	14144	14323	14337	14351
407	14060	14106	14145	14180	14359	14373	14387
408	14096	14141	14181	14216	14394	14409	14423
409	14131	14177	14217	14251	14430	14445	14459
410	14167	14213	14252	14287	14466	14481	14495
411	14202	14248	14288	14323	14502	14517	14531
412	14238	14284	14324	14359	14538	14553	14567
413	14274	14320	14359	14394	14574	14589	14602
414	14309	14355	14395	14430	14610	14625	14638

Release 01.01

Oct 10th, 1999

415	14345	14391	14431	14466	14646	14661	14674
416	14381	14427	14467	14502	14682	14696	14710
417	14416	14462	14502	14537	14718	14732	14746
418	14452	14498	14538	14573	14753	14768	14782
419	14487	14534	14574	14609	14789	14804	14818
420	14523	14569	14609	14645	14825	14840	14854

<b>Table 1: Generic HDBH Traffic Capacity (7% to 20%)</b>							
<b>CHs</b>	<b>P(0.07)</b>	<b>P(0.08)</b>	<b>P(0.09)</b>	<b>P(0.1)</b>	<b>P(0.18)</b>	<b>P(0.19)</b>	<b>P(0.2)</b>
421	14559	14605	14645	14680	14861	14876	14890
422	14594	14641	14681	14716	14897	14912	14926
423	14630	14676	14717	14752	14933	14948	14962
424	14666	14712	14752	14788	14969	14984	14998
425	14701	14748	14788	14823	15005	15020	15033
426	14737	14783	14824	14859	15041	15056	15069
427	14773	14819	14859	14895	15077	15091	15105
428	14808	14855	14895	14931	15112	15127	15141
429	14844	14890	14931	14966	15148	15163	15177
430	14879	14926	14967	15002	15184	15199	15213
431	14915	14962	15002	15038	15220	15235	15249
432	14951	14998	15038	15074	15256	15271	15285
433	14986	15033	15074	15109	15292	15307	15321

Release 01.01

Oct 10th, 1999

434	15022	15069	15110	15145	15328	15343	15357
435	15058	15105	15145	15181	15364	15379	15393
436	15093	15140	15181	15217	15400	15415	15429
437	15129	15176	15217	15253	15436	15451	15465
438	15165	15212	15252	15288	15471	15487	15500
439	15200	15247	15288	15324	15507	15522	15536
440	15236	15283	15324	15360	15543	15558	15572
441	15272	15319	15360	15396	15579	15594	15608
442	15307	15354	15395	15431	15615	15630	15644
443	15343	15390	15431	15467	15651	15666	15680
444	15379	15426	15467	15503	15687	15702	15716
445	15414	15462	15503	15539	15723	15738	15752
446	15450	15497	15538	15574	15759	15774	15788
447	15485	15533	15574	15610	15795	15810	15824
448	15521	15569	15610	15646	15831	15846	15860
449	15557	15604	15646	15682	15866	15882	15896
450	15592	15640	15681	15718	15902	15918	15932

<b>Table 1: Generic HDBH Traffic Capacity (7% to 20%)</b>							
<b>CHs</b>	<b>P(0.07)</b>	<b>P(0.08)</b>	<b>P(0.09)</b>	<b>P(0.1)</b>	<b>P(0.18)</b>	<b>P(0.19)</b>	<b>P(0.2)</b>
451	15628	15676	15717	15753	15938	15953	15967
452	15664	15711	15753	15789	15974	15989	16003

Release 01.01

Oct 10th, 1999

453	15699	15747	15789	15825	16010	16025	16039
454	15735	15783	15824	15861	16046	16061	16075
455	15771	15819	15860	15896	16082	16097	16111
456	15806	15854	15896	15932	16118	16133	16147
457	15842	15890	15931	15968	16154	16169	16183
458	15878	15926	15967	16004	16190	16205	16219
459	15913	15961	16003	16039	16226	16241	16255
460	15949	15997	16039	16075	16261	16277	16291
461	15985	16033	16074	16111	16297	16313	16327
462	16020	16068	16110	16147	16333	16349	16363
463	16056	16104	16146	16183	16369	16384	16399
464	16092	16140	16182	16218	16405	16420	16435
465	16127	16176	16217	16254	16441	16456	16470
466	16163	16211	16253	16290	16477	16492	16506
467	16199	16247	16289	16326	16513	16528	16542
468	16234	16283	16325	16361	16549	16564	16578
469	16270	16318	16360	16397	16585	16600	16614
470	16306	16354	16396	16433	16621	16636	16650
471	16341	16390	16432	16469	16656	16672	16686
472	16377	16426	16468	16505	16692	16708	16722
473	16413	16461	16503	16540	16728	16744	16758
474	16448	16497	16539	16576	16764	16780	16794
475	16484	16533	16575	16612	16800	16816	16830

Release 01.01

Oct 10th, 1999

476	16520	16569	16611	16648	16836	16851	16866
477	16555	16604	16646	16684	16872	16887	16902
478	16591	16640	16682	16719	16908	16923	16938
479	16627	16676	16718	16755	16944	16959	16974
480	16662	16711	16754	16791	16980	16995	17009

<b>Table 1: Generic HDBH Traffic Capacity (7% to 20%)</b>							
<b>CHs</b>	<b>P(0.07)</b>	<b>P(0.08)</b>	<b>P(0.09)</b>	<b>P(0.1)</b>	<b>P(0.18)</b>	<b>P(0.19)</b>	<b>P(0.2)</b>
481	16698	16747	16790	16827	17016	17031	17045
482	16734	16783	16825	16862	17052	17067	17081
483	16769	16819	16861	16898	17087	17103	17117
484	16805	16854	16897	16934	17123	17139	17153
485	16841	16890	16933	16970	17159	17175	17189
486	16877	16926	16968	17006	17195	17211	17225
487	16912	16961	17004	17041	17231	17247	17261
488	16948	16997	17040	17077	17267	17283	17297
489	16984	17033	17076	17113	17303	17318	17333
490	17019	17069	17111	17149	17339	17354	17369
491	17055	17104	17147	17185	17375	17390	17405
492	17091	17140	17183	17220	17411	17426	17441
493	17126	17176	17219	17256	17447	17462	17477
494	17162	17212	17254	17292	17483	17498	17513

Release 01.01

Oct 10th, 1999

495	17198	17247	17290	17328	17519	17534	17548
496	17233	17283	17326	17364	17554	17570	17584
497	17269	17319	17362	17399	17590	17606	17620
498	17305	17354	17397	17435	17626	17642	17656
499	17340	17390	17433	17471	17662	17678	17692
500	17376	17426	17469	17507	17698	17714	17728
501	17412	17462	17505	17543	17734	17750	17764
502	17448	17497	17541	17578	17770	17786	17800
503	17483	17533	17576	17614	17806	17821	17836
504	17519	17569	17612	17650	17842	17857	17872
505	17555	17605	17648	17686	17878	17893	17908
506	17590	17640	17684	17722	17914	17929	17944
507	17626	17676	17719	17757	17950	17965	17980
508	17662	17712	17755	17793	17985	18001	18016
509	17697	17748	17791	17829	18021	18037	18052
510	17733	17783	17827	17865	18057	18073	18087

<b>Table 1: Generic HDBH Traffic Capacity (7% to 20%)</b>							
<b>CHs</b>	<b>P(0.07)</b>	<b>P(0.08)</b>	<b>P(0.09)</b>	<b>P(0.1)</b>	<b>P(0.18)</b>	<b>P(0.19)</b>	<b>P(0.2)</b>
511	17769	17819	17862	17901	18093	18109	18123
512	17804	17855	17898	17936	18129	18145	18159
513	17840	17891	17934	17972	18165	18181	18195



Release 01.01

Oct 10th, 1999

514	17876	17926	17970	18008	18201	18217	18231
515	17912	17962	18006	18044	18237	18253	18267
516	17947	17998	18041	18080	18273	18289	18303
517	17983	18033	18077	18115	18309	18325	18339
518	18019	18069	18113	18151	18345	18360	18375
519	18054	18105	18149	18187	18381	18396	18411
520	18090	18141	18184	18223	18417	18432	18447
521	18126	18176	18220	18259	18453	18468	18483
522	18161	18212	18256	18294	18488	18504	18519
523	18197	18248	18292	18330	18524	18540	18555
524	18233	18284	18328	18366	18560	18576	18591
525	18269	18319	18363	18402	18596	18612	18627
526	18304	18355	18399	18438	18632	18648	18663
527	18340	18391	18435	18473	18668	18684	18698
528	18376	18427	18471	18509	18704	18720	18734
529	18411	18462	18507	18545	18740	18756	18770
530	18447	18498	18542	18581	18776	18792	18806
531	18483	18534	18578	18617	18812	18828	18842
532	18519	18570	18614	18653	18848	18864	18878
533	18554	18605	18650	18688	18884	18899	18914
534	18590	18641	18685	18724	18920	18935	18950
535	18626	18677	18721	18760	18955	18971	18986
536	18661	18713	18757	18796	18991	19007	19022

Release 01.01

Oct 10th, 1999

537	18697	18748	18793	18832	19027	19043	19058
538	18733	18784	18829	18867	19063	19079	19094
539	18769	18820	18864	18903	19099	19115	19130
540	18804	18856	18900	18939	19135	19151	19166

**2.8.38. Table 2A: RLCM/OPAC HDBH Traffic Capacity (CCS)**

<b>Table 2A: RLCM/OPAC HDBH Traffic Capacity (CCS)</b>							
<b>Link to Host 2 Carried Load P(0.01)</b>							
<b>Host</b>	<b>Percent Intra Traffic</b>						
<b>CH</b>	<b>0%</b>	<b>20%</b>	<b>30%</b>	<b>40%</b>	<b>50%</b>	<b>60%</b>	<b>80%</b>
4	30	36	40	45	51	60	91
5	47	56	62	70	81	94	143
6	65	79	88	99	113	132	200
7	86	103	115	129	148	173	262
8	107	129	143	162	185	217	328
9	130	156	174	196	224	262	396
10	153	184	205	230	264	309	467
11	177	213	237	267	306	357	541
12	202	242	270	304	348	407	616
13	227	273	304	342	392	458	693
14	253	304	338	381	436	510	771
15	279	335	373	420	481	562	850

Release 01.01

Oct 10th, 1999

16	305	367	408	460	527	616	931
17	332	399	444	500	573	670	1013
18	359	432	480	541	620	725	1096
19	387	465	517	583	667	780	1180
20	415	499	555	625	715	837	1265
21	442	532	592	666	763	892	1350
22	471	566	629	709	812	949	1436
23	499	600	668	752	861	1007	1524
24	528	635	706	796	911	1065	1611
25	557	669	745	839	961	1123	1699
26	586	705	784	883	1011	1182	1788
27	615	740	823	927	1061	1241	1877
28	645	775	862	971	1112	1300	1966
29	674	811	902	1016	1163	1360	2057
30	704	846	941	1060	1214	1420	2147
31	734	882	981	1105	1265	1479	2237
32	764	918	1021	1150	1317	1540	2328
33	794	954	1061	1196	1369	1601	2420
34	824	990	1101	1241	1420	1661	2511
35	854	1027	1142	1287	1473	1723	2603
<b>Host</b>	<b>Percent Intra Traffic</b>						
<b>CH</b>	<b>0%</b>	<b>20%</b>	<b>30%</b>	<b>40%</b>	<b>50%</b>	<b>60%</b>	<b>80%</b>
36	885	1063	1183	1333	1526	1784	2694

Release 01.01

Oct 10th, 1999

37	915	1100	1223	1378	1578	1845	2785
38	946	1137	1265	1425	1631	1908	2877
39	977	1174	1306	1471	1684	1970	2967
40	1008	1211	1347	1518	1738	2032	3056
41	1038	1248	1388	1564	1790	2094	3144
42	1069	1285	1429	1610	1843	2155	3230
43	1101	1323	1472	1658	1898	2219	3318
44	1131	1360	1512	1704	1950	2281	3401
45	1163	1398	1555	1751	2005	2345	3485
46	1194	1435	1597	1799	2059	2408	3568

<b>Table 2A: RLCM/OPAC HDBH Traffic Capacity (CCS) Link to Host 3 Carried Load P(0.01)</b>							
<b>Host</b>	<b>Percent Intra Traffic</b>						
<b>CH</b>	<b>0%</b>	<b>20%</b>	<b>30%</b>	<b>40%</b>	<b>50%</b>	<b>60%</b>	<b>80%</b>
4	30	36	40	45	51	60	91
5	47	56	62	70	81	94	143
6	65	79	88	99	113	132	200
7	86	103	115	129	148	173	262
8	107	129	143	162	185	217	328
9	130	156	174	196	224	262	396
10	153	184	205	230	264	309	467

Release 01.01

Oct 10th, 1999

11	177	213	237	267	306	357	541
12	202	242	270	304	348	407	616
13	227	273	304	342	392	458	693
14	253	304	338	381	436	510	771
15	279	335	373	420	481	562	850
16	305	367	408	460	527	616	930
17	332	399	444	500	573	670	1011
18	359	432	480	541	620	725	1092
19	387	465	517	583	667	780	1172
20	415	499	555	625	715	837	1253
21	442	532	592	666	763	892	1331
22	471	566	629	709	812	949	1408
23	499	600	668	752	861	1007	1485
24	528	635	706	796	911	1065	1559
25	557	669	745	839	961	1123	1630
26	586	705	784	883	1011	1182	1701
27	615	740	823	927	1061	1240	1770
28	645	775	862	971	1112	1299	1837
29	674	811	902	1016	1163	1358	1903
30	704	846	941	1060	1214	1417	1967
31	734	882	981	1105	1265	1476	2029
32	764	918	1021	1150	1317	1536	2092
33	794	954	1061	1196	1368	1595	2153

Release 01.01

Oct 10th, 1999

34	824	990	1101	1241	1420	1653	2212
35	854	1027	1142	1287	1472	1713	2272
<b>Host</b>	<b>Percent Intra Traffic</b>						
<b>CH</b>	<b>0%</b>	<b>20%</b>	<b>30%</b>	<b>40%</b>	<b>50%</b>	<b>60%</b>	<b>80%</b>
36	885	1063	1183	1333	1525	1772	2330
37	915	1100	1223	1378	1577	1830	2387
38	946	1137	1265	1425	1630	1888	2445
39	977	1174	1306	1471	1683	1947	2502
40	1008	1211	1347	1518	1735	2004	2558
41	1038	1248	1388	1564	1787	2061	2613
42	1069	1285	1429	1610	1840	2117	2667
43	1101	1323	1472	1658	1893	2174	2723
44	1131	1360	1512	1703	1945	2229	2776
45	1163	1398	1555	1751	1998	2285	2831
46	1194	1435	1597	1798	2051	2340	2885
47	1226	1473	1639	1845	2103	2395	2938
48	1257	1511	1681	1893	2156	2449	2991
49	1288	1548	1722	1939	2208	2502	3044
50	1320	1587	1765	1987	2260	2556	3096
51	1352	1625	1807	2035	2312	2609	3149
52	1383	1663	1849	2082	2364	2662	3201
53	1415	1700	1891	2129	2415	2713	3252
54	1447	1739	1934	2177	2467	2766	3304

Release 01.01

Oct 10th, 1999

55	1479	1777	1977	2225	2518	2817	3356
56	1510	1816	2019	2272	2569	2869	3407
57	1543	1854	2063	2320	2621	2920	3458
58	1575	1893	2106	2368	2672	2971	3510
59	1607	1931	2148	2415	2721	3021	3560
60	1639	1970	2191	2464	2772	3072	3611
61	1672	2009	2235	2512	2823	3123	3662
62	1704	2048	2278	2559	2872	3172	3712
63	1735	2086	2320	2606	2921	3221	3761
64	1768	2125	2364	2654	2972	3271	3812
65	1801	2165	2408	2702	3022	3321	3862
66	1833	2203	2450	2749	3070	3370	3911
67	1865	2242	2493	2796	3118	3418	3960
68	1898	2282	2537	2844	3168	3467	4010
69	1931	2321	2581	2892	3217	3516	4060
70	1963	2359	2623	2938	3264	3563	4108

<b>Table 2A: RLCM/OPAC HDBH Traffic Capacity (CCS) Link to Host 4 Carried Load P(0.01)</b>							
<b>Host</b>	<b>Percent Intra Traffic</b>						
<b>CH</b>	<b>0%</b>	<b>20%</b>	<b>30%</b>	<b>40%</b>	<b>50%</b>	<b>60%</b>	<b>80%</b>

Release 01.01

Oct 10th, 1999

4	30	36	40	45	51	60	91
5	47	56	62	70	81	94	143
6	65	79	88	99	113	132	200
7	86	103	115	129	148	173	262
8	107	129	143	162	185	217	328
9	130	156	174	196	224	262	396
10	153	184	205	230	264	309	467
11	177	213	237	267	306	357	541
12	202	242	270	304	348	407	616
13	227	273	304	342	392	458	693
14	253	304	338	381	436	510	771
15	279	335	373	420	481	562	850
16	305	367	408	460	527	616	930
17	332	399	444	500	573	670	1011
18	359	432	480	541	620	725	1092
19	387	465	517	583	667	780	1172
20	415	499	555	625	715	837	1253
21	442	532	592	666	763	892	1331
22	471	566	629	709	812	949	1408
23	499	600	668	752	861	1007	1485
24	528	635	706	796	911	1065	1559
25	557	669	745	839	961	1123	1630
26	586	705	784	883	1011	1182	1701



Release 01.01

Oct 10th, 1999

27	615	740	823	927	1061	1240	1770
28	645	775	862	971	1112	1299	1837
29	674	811	902	1016	1163	1358	1903
30	704	846	941	1060	1214	1417	1967
31	734	882	981	1105	1265	1476	2029
32	764	918	1021	1150	1317	1536	2092
33	794	954	1061	1196	1368	1595	2152
34	824	990	1101	1241	1420	1653	2212
35	854	1027	1142	1287	1472	1713	2271

<b>Table 2A: RLCM/OPAC HDBH Traffic Capacity (CCS) Link to Host 4 Carried Load P(0.01)</b>							
<b>Host</b>	<b>Percent Intra Traffic</b>						
<b>CH</b>	<b>0%</b>	<b>20%</b>	<b>30%</b>	<b>40%</b>	<b>50%</b>	<b>60%</b>	<b>80%</b>
36	885	1063	1183	1333	1525	1772	2330
37	915	1100	1223	1378	1577	1830	2387
38	946	1137	1265	1425	1630	1888	2445
39	977	1174	1306	1471	1683	1947	2501
40	1008	1211	1347	1518	1735	2004	2557
41	1038	1248	1388	1564	1787	2061	2612
42	1069	1285	1429	1610	1840	2117	2666
43	1101	1323	1472	1658	1893	2174	2722

Release 01.01

Oct 10th, 1999

44	1131	1360	1512	1703	1945	2229	2775
45	1163	1398	1555	1751	1998	2285	2829
46	1194	1435	1597	1798	2051	2340	2883
47	1226	1473	1639	1845	2103	2395	2936
48	1257	1511	1681	1893	2156	2449	2988
49	1288	1548	1722	1939	2208	2502	3040
50	1320	1587	1765	1987	2260	2556	3093
51	1352	1625	1807	2035	2312	2609	3145
52	1383	1663	1849	2082	2364	2662	3196
53	1415	1700	1891	2129	2415	2713	3247
54	1447	1739	1934	2177	2467	2766	3298
55	1479	1777	1977	2225	2518	2817	3349
56	1510	1816	2019	2272	2569	2869	3399
57	1543	1854	2063	2320	2621	2920	3450
58	1575	1893	2106	2368	2672	2971	3500
59	1607	1931	2148	2415	2721	3021	3549
60	1639	1970	2191	2464	2772	3072	3599
61	1672	2009	2235	2512	2823	3123	3648
62	1704	2048	2278	2559	2872	3172	3697
63	1735	2086	2320	2606	2921	3221	3745
64	1768	2125	2364	2654	2972	3271	3794
65	1801	2165	2408	2702	3022	3321	3843
66	1833	2203	2450	2749	3070	3369	3890

Release 01.01

Oct 10th, 1999

67	1865	2242	2493	2796	3118	3417	3937
68	1898	2282	2537	2844	3168	3467	3985
69	1931	2321	2581	2892	3217	3516	4033
70	1963	2359	2623	2938	3264	3563	4079

<b>Table 2A: RLCM/OPAC HDBH Traffic Capacity (CCS) Link to Host 4 Carried Load P(0.01)</b>							
<b>Host</b>	<b>Percent Intra Traffic</b>						
<b>CH</b>	<b>0%</b>	<b>20%</b>	<b>30%</b>	<b>40%</b>	<b>50%</b>	<b>60%</b>	<b>80%</b>
71	1996	2399	2667	2986	3313	3611	4126
72	2028	2438	2711	3033	3361	3659	4172
73	2061	2477	2754	3080	3408	3707	4218
74	2094	2517	2799	3128	3457	3756	4265
75	2127	2556	2842	3174	3504	3803	4311
76	2160	2596	2886	3222	3552	3851	4357
77	2192	2635	2929	3268	3599	3897	4401
78	2225	2675	2973	3315	3646	3945	4447
79	2258	2715	3017	3361	3693	3992	4492
80	2291	2754	3061	3408	3740	4039	4537
81	2324	2794	3104	3454	3787	4086	4581
82	2357	2833	3148	3500	3833	4132	4626
83	2390	2872	3191	3546	3879	4179	4669

Release 01.01

Oct 10th, 1999

84	2423	2913	3236	3593	3926	4226	4714
85	2456	2952	3279	3638	3972	4272	4757
86	2489	2992	3323	3684	4018	4318	4801
87	2523	3032	3367	3730	4065	4365	4844
88	2556	3072	3411	3776	4111	4411	4888
89	2589	3112	3455	3822	4157	4457	4931
90	2622	3152	3498	3867	4202	4503	4973
91	2655	3191	3542	3912	4247	4548	5015
92	2689	3232	3586	3958	4294	4594	5059
93	2723	3272	3630	4004	4340	4641	5102
94	2755	3312	3673	4048	4384	4685	5143

<b>Table 2A: RLCM/OPAC HDBH Traffic Capacity (CCS) Link to Host 5 Carried Load P(0.01)</b>							
<b>Host</b>	<b>Percent Intra Traffic</b>						
<b>CH</b>	<b>0%</b>	<b>20%</b>	<b>30%</b>	<b>40%</b>	<b>50%</b>	<b>60%</b>	<b>80%</b>
4	30	32	34	36	38	40	45
5	47	51	53	56	59	62	70
6	65	71	75	79	83	88	99
7	86	94	98	103	109	115	129
8	107	117	123	129	136	143	162
9	130	142	149	156	164	174	196

Release 01.01

Oct 10th, 1999

10	153	167	175	184	194	205	230
11	177	193	203	213	224	237	267
12	202	220	231	242	255	270	304
13	227	248	260	273	287	304	342
14	253	276	289	304	320	338	381
15	279	304	319	335	353	373	420
16	305	333	349	367	386	408	460
17	332	363	380	399	420	444	500
18	359	392	411	432	455	480	541
19	387	422	443	465	490	517	583
20	415	453	475	499	525	555	625
21	442	483	506	532	560	592	666
22	471	514	539	566	596	629	709
23	499	545	572	600	632	668	752
24	528	577	604	635	669	706	796
25	557	608	637	669	705	745	839
26	586	640	671	705	742	784	883
27	615	672	704	740	779	823	927
28	645	704	738	775	816	862	971
29	674	736	772	811	854	902	1016
30	704	769	805	846	891	941	1060
31	734	801	839	882	929	981	1105
32	764	834	874	918	967	1021	1150

Release 01.01

Oct 10th, 1999

33	794	867	908	954	1005	1061	1195
34	824	899	942	990	1043	1101	1240
35	854	933	977	1027	1081	1142	1286

<b>Table 2A: RLCM/OPAC HDBH Traffic Capacity (CCS) Link to Host 5 Carried Load P(0.01)</b>							
<b>Host</b>	<b>Percent Intra Traffic</b>						
<b>CH</b>	<b>0%</b>	<b>20%</b>	<b>30%</b>	<b>40%</b>	<b>50%</b>	<b>60%</b>	<b>80%</b>
36	885	966	1012	1063	1120	1183	1331
37	915	999	1047	1100	1158	1223	1377
38	946	1033	1082	1137	1198	1265	1423
39	977	1066	1118	1174	1237	1306	1469
40	1008	1100	1153	1211	1276	1347	1515
41	1038	1134	1188	1248	1314	1388	1561
42	1069	1167	1223	1285	1353	1429	1606
43	1101	1202	1259	1323	1393	1471	1653
44	1131	1235	1294	1360	1432	1512	1698
45	1163	1269	1330	1398	1472	1554	1745
46	1194	1304	1366	1435	1512	1596	1791
47	1226	1338	1402	1473	1551	1638	1837
48	1257	1372	1438	1511	1591	1680	1883
49	1288	1406	1474	1548	1631	1722	1929

Release 01.01

Oct 10th, 1999

50	1320	1441	1510	1587	1671	1764	1975
51	1352	1476	1547	1625	1711	1806	2021
52	1383	1510	1583	1663	1751	1848	2067
53	1415	1544	1619	1700	1791	1890	2112
54	1447	1579	1655	1739	1831	1932	2158
55	1479	1614	1692	1777	1871	1975	2204
56	1510	1649	1728	1816	1912	2017	2249
57	1543	1684	1765	1854	1953	2060	2295
58	1575	1720	1802	1893	1993	2103	2341
59	1607	1754	1838	1931	2033	2145	2385
60	1639	1790	1876	1970	2074	2188	2431
61	1672	1825	1913	2009	2115	2231	2477
62	1704	1860	1949	2048	2156	2273	2521
63	1735	1895	1986	2086	2196	2315	2565
64	1768	1930	2023	2125	2237	2358	2611
65	1801	1966	2061	2165	2278	2401	2656
66	1833	2001	2097	2203	2319	2443	2700
67	1865	2036	2134	2242	2359	2485	2744
68	1898	2072	2172	2281	2401	2528	2789
69	1931	2108	2210	2321	2442	2572	2834
70	1963	2143	2246	2359	2482	2613	2878

Release 01.01

Oct 10th, 1999

<b>Table 2A: RLCM/OPAC HDBH Traffic Capacity (CCS) Link to Host 5 Carried Load P(0.01)</b>							
<b>Host</b>	<b>Percent Intra Traffic</b>						
<b>CH</b>	<b>0%</b>	<b>20%</b>	<b>30%</b>	<b>40%</b>	<b>50%</b>	<b>60%</b>	<b>80%</b>
71	1996	2179	2283	2398	2523	2656	2922
72	2028	2214	2321	2437	2564	2698	2966
73	2061	2250	2358	2476	2605	2741	3010
74	2094	2286	2396	2517	2647	2784	3055
75	2127	2322	2433	2556	2688	2826	3098
76	2160	2358	2471	2596	2730	2869	3143
77	2192	2393	2508	2634	2770	2911	3186
78	2225	2430	2546	2674	2811	2954	3230
79	2258	2466	2584	2714	2853	2997	3273
80	2291	2502	2622	2753	2894	3039	3317
81	2324	2538	2659	2792	2935	3081	3360
82	2357	2573	2697	2832	2976	3123	3403
83	2390	2609	2734	2871	3017	3165	3446
84	2423	2646	2773	2911	3059	3208	3490
85	2456	2681	2810	2950	3099	3249	3533
86	2489	2718	2848	2990	3141	3292	3576
87	2523	2754	2886	3030	3182	3334	3620
88	2556	2790	2924	3070	3223	3377	3663
89	2589	2827	2962	3109	3264	3419	3706



Release 01.01

Oct 10th, 1999

90	2622	2863	3000	3149	3305	3460	3748
91	2655	2899	3038	3188	3346	3502	3791
92	2689	2936	3076	3229	3388	3545	3835
93	2723	2972	3115	3269	3430	3587	3878
94	2755	3008	3152	3308	3470	3628	3920
95	2789	3045	3191	3348	3511	3670	3963
96	2822	3081	3229	3388	3552	3712	4006
97	2856	3118	3267	3428	3593	3754	4048
98	2889	3154	3305	3468	3634	3796	4091
99	2923	3191	3344	3508	3676	3838	4134
100	2956	3227	3382	3548	3717	3879	4176

<b>Table 2A: RLCM/OPAC HDBH Traffic Capacity (CCS) Link to Host 5 Carried Load P(0.01)</b>							
<b>Host</b>	<b>Percent Intra Traffic</b>						
<b>CH</b>	<b>0%</b>	<b>20%</b>	<b>30%</b>	<b>40%</b>	<b>50%</b>	<b>60%</b>	<b>80%</b>
101	2989	3263	3420	3587	3757	3920	4218
102	3023	3300	3458	3627	3798	3962	4261
103	3057	3337	3497	3667	3840	4004	4303
104	3090	3374	3535	3707	3881	4046	4346
105	3124	3410	3574	3747	3922	4087	4388
106	3157	3447	3612	3787	3962	4128	4430

Release 01.01

Oct 10th, 1999

107	3192	3484	3651	3827	4004	4171	4473
108	3225	3521	3689	3867	4044	4212	4515
109	3259	3558	3728	3907	4086	4254	4558
110	3292	3594	3765	3946	4126	4294	4599
111	3327	3632	3805	3988	4168	4337	4642
112	3360	3668	3843	4027	4208	4377	4683
113	3394	3706	3882	4067	4249	4419	4726
114	3428	3742	3920	4107	4290	4460	4768
115	3461	3779	3959	4147	4330	4501	4810
116	3496	3816	3998	4187	4371	4543	4852
117	3530	3853	4037	4227	4412	4584	4895
118	3564	3891	4075	4268	4453	4626	4937

<b>Table 2A: RLCM/OPAC HDBH Traffic Capacity (CCS)</b>							
<b>Link to Host: 6 Carried Load P(0.01)</b>							
<b>Host</b>	<b>Percent Intra Traffic</b>						
<b>CH</b>	<b>0%</b>	<b>20%</b>	<b>30%</b>	<b>40%</b>	<b>50%</b>	<b>60%</b>	<b>80%</b>
4	30	32	34	36	38	40	45
5	47	51	53	56	59	62	70
6	65	71	75	79	83	88	99
7	86	94	98	103	109	115	129
8	107	117	123	129	136	143	162

Release 01.01

Oct 10th, 1999

9	130	142	149	156	164	174	196
10	153	167	175	184	194	205	230
11	177	193	203	213	224	237	267
12	202	220	231	242	255	270	304
13	227	248	260	273	287	304	342
14	253	276	289	304	320	338	381
15	279	304	319	335	353	373	420
16	305	333	349	367	386	408	460
17	332	363	380	399	420	444	500
18	359	392	411	432	455	480	541
19	387	422	443	465	490	517	583
20	415	453	475	499	525	555	625
21	442	483	506	532	560	592	666
22	471	514	539	566	596	629	709
23	499	545	572	600	632	668	752
24	528	577	604	635	669	706	796
25	557	608	637	669	705	745	839
26	586	640	671	705	742	784	883
27	615	672	704	740	779	823	927
28	645	704	738	775	816	862	971
29	674	736	772	811	854	902	1015
30	704	769	805	846	891	941	1060
31	734	801	839	882	929	981	1104

Release 01.01

Oct 10th, 1999

32	764	834	874	918	967	1021	1149
33	794	867	908	954	1005	1061	1194
34	824	899	942	990	1043	1101	1239
35	854	933	977	1027	1081	1142	1285

<b>Table 2A: RLCM/OPAC HDBH Traffic Capacity (CCS)</b> <b>Link to Host: 6 Carried Load P(0.01)</b>							
<b>Host</b>	<b>Percent Intra Traffic</b>						
<b>CH</b>	<b>0%</b>	<b>20%</b>	<b>30%</b>	<b>40%</b>	<b>50%</b>	<b>60%</b>	<b>80%</b>
36	885	966	1012	1063	1120	1183	1330
37	915	999	1047	1100	1158	1223	1376
38	946	1033	1082	1137	1198	1265	1421
39	977	1066	1118	1174	1237	1306	1467
40	1008	1100	1153	1211	1276	1347	1512
41	1038	1134	1188	1248	1314	1388	1558
42	1069	1167	1223	1285	1353	1429	1602
43	1101	1202	1259	1323	1393	1471	1649
44	1131	1235	1294	1360	1432	1512	1693
45	1163	1269	1330	1398	1472	1554	1739
46	1194	1304	1366	1435	1512	1596	1784
47	1226	1338	1402	1473	1551	1638	1829
48	1257	1372	1438	1511	1591	1679	1874

Release 01.01

Oct 10th, 1999

49	1288	1406	1474	1548	1630	1721	1918
50	1320	1441	1510	1587	1671	1763	1963
51	1352	1476	1547	1625	1711	1805	2007
52	1383	1510	1583	1663	1751	1847	2051
53	1415	1544	1619	1700	1790	1888	2095
54	1447	1579	1655	1739	1831	1931	2139
55	1479	1614	1692	1777	1871	1973	2182
56	1510	1649	1728	1815	1911	2015	2226
57	1543	1684	1765	1854	1952	2057	2269
58	1575	1720	1802	1893	1993	2100	2313
59	1607	1754	1838	1931	2032	2141	2355
60	1639	1790	1876	1970	2074	2184	2398
61	1672	1825	1913	2009	2114	2226	2441
62	1704	1860	1949	2047	2155	2268	2483
63	1735	1895	1986	2086	2195	2309	2524
64	1768	1930	2023	2125	2236	2352	2566
65	1801	1966	2061	2164	2277	2394	2608
66	1833	2001	2097	2203	2317	2436	2649
67	1865	2036	2134	2241	2357	2477	2690
68	1898	2072	2172	2281	2399	2520	2732
69	1931	2108	2209	2320	2440	2562	2773
70	1963	2143	2246	2358	2480	2602	2813

Release 01.01

Oct 10th, 1999

<b>Table 2A: RLCM/OPAC HDBH Traffic Capacity (CCS)</b>							
<b>Link to Host: 6 Carried Load P(0.01)</b>							
<b>Host</b>	<b>Percent Intra Traffic</b>						
<b>CH</b>	<b>0%</b>	<b>20%</b>	<b>30%</b>	<b>40%</b>	<b>50%</b>	<b>60%</b>	<b>80%</b>
71	1996	2179	2283	2398	2520	2644	2853
72	2028	2214	2321	2437	2561	2686	2894
73	2061	2250	2358	2476	2602	2727	2934
74	2094	2286	2396	2516	2643	2769	2975
75	2127	2322	2433	2555	2684	2810	3014
76	2160	2358	2471	2595	2725	2852	3055
77	2192	2393	2508	2633	2765	2892	3093
78	2225	2430	2546	2673	2806	2934	3133
79	2258	2466	2584	2713	2847	2975	3173
80	2291	2502	2622	2752	2887	3016	3212
81	2324	2537	2659	2791	2928	3057	3251
82	2357	2573	2697	2830	2968	3097	3290
83	2390	2609	2734	2869	3008	3137	3328
84	2423	2646	2773	2910	3050	3179	3367
85	2456	2681	2810	2948	3089	3218	3405
86	2489	2718	2848	2988	3130	3259	3444
87	2523	2754	2886	3028	3171	3300	3483
88	2556	2790	2924	3068	3211	3340	3521
89	2589	2827	2962	3107	3252	3380	3559

Release 01.01

Oct 10th, 1999

90	2622	2863	3000	3146	3292	3420	3597
91	2655	2899	3037	3185	3332	3459	3635
92	2689	2936	3076	3226	3373	3500	3673
93	2723	2972	3115	3266	3413	3540	3712
94	2755	3008	3152	3304	3453	3579	3749
95	2789	3045	3190	3344	3493	3619	3786
96	2822	3081	3229	3384	3533	3658	3824
97	2856	3118	3267	3423	3573	3698	3862
98	2889	3154	3305	3463	3613	3737	3899
99	2923	3191	3344	3503	3653	3777	3937
100	2956	3227	3381	3542	3693	3816	3974

<b>Table 2A: RLCM/OPAC HDBH Traffic Capacity (CCS) Link to Host 6 Carried Load P(0.01)</b>							
<b>Host</b>	<b>Percent Intra Traffic</b>						
<b>CH</b>	<b>0%</b>	<b>20%</b>	<b>30%</b>	<b>40%</b>	<b>50%</b>	<b>60%</b>	<b>80%</b>
101	2989	3263	3419	3581	3732	3854	4010
102	3023	3300	3458	3621	3772	3894	4048
103	3057	3337	3496	3661	3812	3933	4085
104	3090	3374	3534	3700	3851	3972	4122
105	3124	3410	3573	3739	3891	4010	4159
106	3157	3447	3611	3779	3930	4049	4196
107	3192	3484	3650	3819	3970	4088	4234

Release 01.01

Oct 10th, 1999

108	3225	3521	3688	3858	4009	4126	4270
109	3259	3558	3727	3898	4049	4165	4307
110	3292	3594	3764	3936	4087	4203	4343
111	3327	3632	3804	3977	4128	4243	4381
112	3360	3668	3841	4015	4166	4280	4417
113	3394	3705	3881	4056	4206	4319	4455
114	3428	3742	3919	4095	4245	4357	4491
115	3461	3779	3957	4133	4283	4395	4527
116	3496	3816	3996	4173	4323	4433	4564
117	3530	3853	4035	4213	4362	4472	4601
118	3564	3890	4073	4252	4401	4510	4638
119	3598	3927	4112	4292	4440	4548	4674
120	3632	3964	4150	4331	4479	4586	4710
121	3665	4001	4189	4370	4517	4623	4747
122	3699	4038	4227	4408	4555	4661	4783
123	3732	4075	4265	4447	4594	4698	4818
124	3767	4112	4304	4486	4632	4736	4855
125	3801	4149	4343	4526	4671	4774	4891
126	3834	4186	4380	4564	4709	4810	4927
127	3869	4224	4420	4604	4748	4849	4964
128	3903	4261	4458	4643	4786	4886	5000
129	3937	4297	4496	4681	4824	4923	5036
130	3971	4335	4535	4721	4863	4961	5072



Release 01.01

Oct 10th, 1999

<b>Table 2A: RLCM/OPAC HDBH Traffic Capacity (CCS)</b> <b>Link to Host: 6 Carried Load P(0.01)</b>							
<b>Host</b>	<b>Percent Intra Traffic</b>						
CH	0%	20%	30%	40%	50%	60%	80%
131	4006	4373	4574	4760	4902	4999	5109
132	4040	4410	4613	4799	4940	5037	5145
133	4074	4447	4652	4838	4978	5074	5181
134	4108	4485	4690	4877	5016	5111	5217
135	4142	4522	4729	4915	5054	5148	5253
136	4176	4559	4767	4954	5092	5185	5289
137	4210	4595	4805	4992	5129	5222	5324
138	4244	4633	4844	5031	5168	5259	5361
139	4279	4671	4883	5070	5206	5296	5397
140	4312	4707	4920	5107	5243	5332	5432
141	4347	4745	4960	5147	5281	5370	5469
142	4382	4783	4999	5186	5320	5408	5505

**2.8.39. [Table 2B: IRLCM Traffic Capacity \(CCS\)](#)**

<b>Table 2B: IRLCM Traffic Capacity (CCS)</b> <b>Links to Host: 2</b>									
<b>% Intra TML</b>	<b>0</b>	<b>10</b>	<b>20</b>	<b>30</b>	<b>40</b>	<b>50</b>	<b>60</b>	<b>70</b>	<b>80</b>

Release 01.01

Oct 10th, 1999

0.001	1436	1541	1663	1808	1982	2196	2464	2806	3243
0.005	1561	1675	1807	1965	2153	2385	2676	3047	3499
0.010	1625	1743	1881	2045	2241	2482	2784	3169	3625
0.015	1665	1787	1928	2096	2297	2544	2854	3246	3704
0.019	1691	1813	1957	2127	2332	2582	2896	3293	3752
0.020	1696	1819	1963	2134	2339	2591	2906	3304	3762
0.025	1721	1846	1992	2165	2373	2628	2948	3351	3809
0.030	1742	1868	2016	2192	2402	2660	2983	3390	3848
0.040	1776	1905	2056	2235	2449	2712	3041	3453	3912
0.050	1804	1935	2088	2270	2487	2754	3088	3504	3962
0.060	1827	1960	2115	2299	2519	2790	3127	3547	4006
0.070	1847	1982	2139	2324	2547	2820	3161	3584	4041
0.080	1865	2001	2150	2346	2571	2847	3191	3616	4073
0.090	1881	2018	2178	2366	2593	2871	3217	3645	4100
0.100	1896	2033	2194	2384	2613	2892	3241	3670	4125
0.190	1985	2130	2298	2497	2735	3026	3388	3825	4274
0.200	1993	2137	2306	2506	2745	3036	3399	3837	4285

<b>Table 2B: IRLCM Traffic Capacity (CCS)</b>									
<b>Links to Host: 3</b>									
<b>% Intra TML</b>	<b>0</b>	<b>10</b>	<b>20</b>	<b>30</b>	<b>40</b>	<b>50</b>	<b>60</b>	<b>70</b>	<b>80</b>
0.001	2346	2517	2717	2951	3209	3458	3684	3884	4062

Release 01.01

Oct 10th, 1999

0.005	2510	2692	2906	3154	3423	3677	3903	4102	4278
0.010	2593	2782	3002	3258	3530	3785	4010	4208	4384
0.015	2646	2838	3063	3324	3599	3854	4978	4276	4451
0.019	2678	2873	3101	3364	3641	3896	4120	4317	4492
0.020	2686	2881	3109	3373	3650	3905	4129	4326	4502
0.025	2718	2915	3146	3413	3691	3946	4170	4367	4542
0.030	2745	2944	3177	3446	3726	3981	4205	4401	4576
0.040	2789	2991	3228	3500	3782	4037	4261	4457	4632
0.050	2824	3029	3269	3544	3827	4082	4306	4502	4676
0.060	2853	3061	3303	3581	3865	4121	4345	4540	4715
0.070	2879	3088	3332	3612	3897	4153	4377	4572	4746
0.080	2901	3112	3358	3639	3925	4181	4404	4600	4774
0.090	2921	3133	3381	3664	3950	4206	4429	4624	4798
0.100	2939	3152	3401	3868	3973	4229	4452	4647	4820
0.190	3048	3269	3527	3819	4109	4365	4586	4780	4953
0.200	3056	3278	3537	3829	4119	4375	4597	4790	4963

<b>Table 2B: IRLCM Traffic Capacity (CCS)</b>									
<b>Links to Host: 4</b>									
<b>% Intra TML</b>	<b>0</b>	<b>10</b>	<b>20</b>	<b>30</b>	<b>40</b>	<b>50</b>	<b>60</b>	<b>70</b>	<b>80</b>
0.001	3286	3524	3778	4009	4219	4423	4616	4789	4927
0.005	3483	3735	4001	4238	4454	4664	4862	5031	5163

Release 01.01

Oct 10th, 1999

0.010	3583	3843	4113	4352	4571	4783	4982	5149	5277
0.015	3647	3911	4184	4425	4646	4860	5058	5224	5349
0.019	3685	3952	4228	4470	4692	4907	5105	5270	5394
0.020	3694	3961	4237	4480	4702	4917	5116	5280	5403
0.025	3732	4002	4280	4523	4747	4963	5161	5324	5447
0.030	3764	4036	4316	4560	4785	5001	5200	5362	5483
0.040	3816	4092	4375	4620	4846	5064	5262	5423	5542
0.050	3858	4137	4421	4667	4895	5113	5311	5471	5589
0.060	3893	4174	4459	4708	4936	5156	5354	5513	5630
0.070	3922	4206	4493	4741	4971	5191	5389	5547	5663
0.080	3948	4233	4522	4771	5001	5222	5419	5577	5692
0.090	3971	4258	4547	4797	5028	5249	5446	5603	5717
0.100	3992	4280	4570	4821	5052	5273	5470	5626	5740
0.190	4116	4413	4708	4962	5196	5419	5614	5767	5877
0.200	4125	4423	4718	4972	5207	5430	5625	5777	5887

<b>Table 2B: IRLCM Traffic Capacity (CCS) Links to Host: 5</b>	
<b>TML</b>	
0.001	4244
0.005	4472
0.010	4587
0.015	4659

Release 01.01

Oct 10th, 1999

0.019	4704
0.020	4714
0.025	4757
0.030	4794
0.040	4853
0.050	4900
0.060	4940
0.070	4973
0.080	5002
0.090	5028
0.100	5051
0.190	5187
0.200	5197

<b>Table 2B: IRLCM Traffic Capacity (CCS) Links to Host: 6</b>	
<b>TML</b>	
0.001	5215
0.005	5470
0.010	5600
0.015	5681
0.019	5731
0.020	5742

Release 01.01

Oct 10th, 1999

0.025	5790
0.030	5831
0.040	5897
0.050	5949
0.060	5992
0.070	6028
0.080	6060
0.090	6088
0.100	6113
0.190	6260
0.200	6271

**2.8.40. Table 3A: DMS100 Local Network Capacities**

<b>Table 3A: DMS100 Local Network Capacities (Two-Way CCS)</b>					
<b>NMs</b>	<b>ABSBH</b>	<b>HDBH</b>	<b>NMs</b>	<b>ABSBH</b>	<b>HDBH</b>
	<b>0.1%</b>	<b>1%</b>		<b>0.1%</b>	<b>1%</b>
1	68000	68700	17	1077200	1131900
2	135400	137300	18	1134300	1195100
3	201800	205700	19	1192000	1258000
4	267900	273800	20	1250900	1321400
5	333000	341500	21	1311300	1385800
6	397200	408800	22	1370000	1449900

Release 01.01

Oct 10th, 1999

7	461500	475900	23	1424500	1512700
8	525800	543000	24	1476700	1574100
9	589300	609600	25	1528600	1634300
10	651400	675500	26	1581000	1693900
11	713400	741600	27	1634200	1753500
12	774700	806900	28	1688500	1813500
13	836700	872800	29	1743900	1874100
14	896300	937500	30	1800500	1935600
15	956600	1002000	31	1858200	1998000
16	1018700	1067600	32	1917100	2061400

**2.8.41. Table 3B: DMS200 and DMS100/200 Toll and Local/Toll**

<b>Table 3B: DMS200 and DMS100/200 Toll and Local/Toll Network Capacities (Two-Way CCS)</b>					
<b>NMs</b>	<b>ABSBH 0.1%</b>	<b>HDBH 1%</b>	<b>NMs</b>	<b>ABSBH 0.1%</b>	<b>HDBH 1%</b>
1	68400	68900	17	1076100	1127400
2	136600	137700	18	1131100	1188700
3	203800	206400	19	1187200	1249900
4	270700	274800	20	1245000	1312000
5	336500	342700	21	1304700	1375600
6	401300	410100	22	1360400	1438400
7	466100	477200	23	1410400	1498800

Release 01.01

Oct 10th, 1999

8	531000	544300	24	1459400	1556900
9	594800	610800	25	1508700	1613700
10	656700	676300	26	1558800	1670300
11	718200	742000	27	1609900	1727300
12	779000	806600	28	1662200	1785100
13	840700	872100	29	1715800	1843800
14	898900	935600	30	1770700	1903600
15	958400	999200	31	1826900	1964600
16	1020300	1064400	32	1884500	2026800

**2.8.42. Table 4A: Total DRA Traffic (CCS) for NT0X48 Network**

<b>Table 4A: Total DRA Traffic (CCS) for NT0X48 Network</b>				
<b>Number of Ports Deloaded Per NSG</b>	<b>Number of Digital Broadcast Announcement Channels (Circuits)</b>			
	<b>8</b>	<b>16</b>	<b>24</b>	<b>30</b>
0	480	590	680	740
1	1180	1290	1380	1440
2	1880	1990	2080	2140
3	2580	2690	2780	2840
4	3280	3390	3480	3540
5	3980	4090	4180	4240
6	4680	4790	4880	4940
7	5380	5490	5580	5640



Release 01.01

Oct 10th, 1999

**2.8.43. Table 4B: Total DRA Traffic (CCS) for NT5X13/8X11 Network**

<b>Table 4A: Total DRA Traffic (CCS) for NT5X13/8X11 Network</b>				
<b>Number of Ports Deloaded Per NSG</b>	<b>Number of Digital Broadcast Announcement Channels (Circuits)</b>			
	<b>8</b>	<b>16</b>	<b>24</b>	<b>30</b>
0	950	1110	1240	1330
1	1650	1810	1940	2030
2	2350	2510	2640	2730
3	3050	3210	3340	3430
4	3750	3910	4040	4130
5	4450	4610	4740	4830
6	5150	5310	5440	5530
7	5850	6010	6140	6230
8	6550	6710	6840	6930
9	7250	7410	7540	7630
10	7950	8110	8240	8330
11	8650	8810	8940	9030
12	9350	9510	9640	9730
13	10050	10210	10340	10430
14	10750	10910	11040	11130
15	11450	11610	11740	11830

Release 01.01

Oct 10th, 1999

**2.8.44. Table 5: Service Circuit Capacity (Poisson Theory)**

<b>Table 5: Service Circuit Capacity (Poisson Theory)</b>				
<b>Circuits</b>	<b>Blocking Probability</b>			
	<b>0.001</b>	<b>0.005</b>	<b>0.010</b>	<b>0.050</b>
1	000	000	000	002
2	002	004	005	013
3	007	012	016	030
4	015	024	030	049
5	027	039	046	071
6	040	055	064	094
7	055	073	084	118
8	071	093	105	143
9	088	113	126	169
10	107	134	149	195
11	126	156	172	222
12	145	178	195	249
13	166	201	220	277
14	187	224	244	305
15	208	248	269	333
16	230	273	294	361
17	253	297	320	390
18	276	322	346	419
19	299	347	373	448

Release 01.01

Oct 10th, 1999

20	322	373	399	477
21	346	399	426	507
22	370	424	453	536
23	395	451	480	566
24	419	477	507	596
25	444	504	535	626
26	469	531	562	656
27	494	558	590	686
28	519	585	618	716
29	545	612	641	747
30	571	640	675	777

<b>Table 5: Service Circuit Capacity (Poisson Theory)</b>				
<b>Circuits</b>	<b>Blocking Probability</b>			
	<b>0.001</b>	<b>0.005</b>	<b>0.010</b>	<b>0.050</b>
31	597	667	703	809
32	624	695	732	840
33	650	723	760	871
34	676	751	789	902
35	703	779	818	933
36	729	807	847	964
37	756	836	878	995
38	783	864	905	1026

Release 01.01

Oct 10th, 1999

39	810	892	935	1057
40	837	921	964	1088
41	865	950	993	1120
42	892	979	1023	1151
43	919	1000	1052	1183
44	947	1036	1082	1214
45	975	1066	1112	1246
46	1003	1095	1142	1277
47	1030	1124	1171	1309
48	1058	1153	1201	1340
49	1086	1183	1231	1372
50	1115	1212	1261	1403

<b>Table 5: Service Circuit Capacity (Poisson Theory)</b>				
<b>Circuits</b>	<b>Blocking Probability</b>			
	<b>0.001</b>	<b>0.005</b>	<b>0.010</b>	<b>0.050</b>
51	1143	1241	1291	1435
52	1171	1271	1322	1467
53	1200	1301	1352	1499
54	1228	1330	1382	1531
55	1256	1360	1412	1563
56	1285	1390	1443	1595
57	1313	1419	1473	1627

Release 01.01

Oct 10th, 1999

58	1342	1449	1504	1659
59	1371	1479	1534	1691
60	1400	1509	1565	1723
61	1428	1539	1595	1755
62	1457	1570	1626	1787
63	1486	1599	1657	1819
64	1516	1630	1687	1851
65	1544	1660	1718	1884
66	1574	1690	1749	1916
67	1603	1721	1780	1948
68	1632	1751	1811	1981
69	1661	1781	1842	2013
70	1691	1812	1873	2046
71	1720	1842	1904	2078
72	1750	1873	1935	2111
73	1779	1903	1966	2143
74	1809	1934	1997	2176
75	1838	1965	2028	2208
76	1868	1995	2059	2241
77	1898	2026	2091	2274
78	1927	2057	2122	2306
79	1957	2088	2153	2339
80	1986	2118	2184	2372

Release 01.01

Oct 10th, 1999

<b>Table 5: Service Circuit Capacity (Poisson Theory)</b>				
<b>Circuits</b>	<b>Blocking Probability</b>			
	<b>0.001</b>	<b>0.005</b>	<b>0.010</b>	<b>0.050</b>
81	2016	2149	2215	2405
82	2046	2180	2247	2437
83	2076	2211	2278	2470
84	2106	2242	2310	2503
85	2136	2273	2341	2536
86	2166	2304	2373	2569
87	2196	2335	2404	2601
88	2226	2366	2436	2634
89	2256	2397	2467	2667
90	2286	2428	2499	2700
91	2317	2459	2530	2733
92	2346	2490	2562	2766
93	2377	2521	2594	2798
94	2407	2553	2625	2831
95	2437	2584	2657	2864
96	2468	2615	2689	2897
97	2498	2646	2721	2930
98	2528	2678	2752	2963
99	2559	2709	2784	2996

Release 01.01

Oct 10th, 1999

100	2589	2740	2816	3029
-----	------	------	------	------

<b>Table 5: Service Circuit Capacity (Poisson Theory)</b>				
<b>Circuits</b>	<b>Blocking Probability</b>			
	<b>0.001</b>	<b>0.005</b>	<b>0.010</b>	<b>0.050</b>
101	2620	2772	2847	3062
102	2650	2803	2879	3095
103	2681	2834	2910	3128
104	2711	2866	2942	3161
105	2742	2897	2974	3194
106	2772	2929	3006	3227
107	2803	2960	3038	3260
108	2834	2991	3070	3293
109	2864	3023	3102	3326
110	2895	3054	3135	3359
111	2926	3086	3166	3393
112	2956	3118	3198	3426
113	2987	3149	3230	3459
114	3018	3181	3262	3493
115	3049	3212	3294	3526
116	3080	3244	3326	3559
117	3110	3276	3359	3592
118	3141	3307	3391	3625

Release 01.01

Oct 10th, 1999

119	3172	3339	3423	3659
120	3203	3371	3456	3692
121	3234	3402	3488	3725
122	3265	3434	3520	3758
123	3296	3466	3552	3792
124	3327	3498	3584	3825
125	3358	3530	3616	3859
126	3389	3562	3648	3892
127	3420	3594	3681	3925
128	3451	3626	3713	3959
129	3482	3657	3746	3992
130	3513	3689	3778	4026

<b>Table 5: Service Circuit Capacity (Poisson Theory)</b>				
<b>Circuits</b>	<b>Blocking Probability</b>			
	<b>0.001</b>	<b>0.005</b>	<b>0.010</b>	<b>0.050</b>
131	3544	3721	3810	4059
132	3576	3753	3843	4092
133	3607	3785	3875	4126
134	3638	3817	3907	4159
135	3669	3849	3939	4192
136	3700	3881	3972	4226
137	3732	3913	4004	4259



Release 01.01

Oct 10th, 1999

138	3763	3945	4037	4293
139	3794	3977	4070	4327
140	3825	4009	4102	4360
141	3857	4042	4134	4394
142	3888	4074	4167	4427
143	3920	4106	4199	4461
144	3951	4138	4231	4494
145	3982	4170	4264	4528
146	4014	4202	4297	4561
147	4045	4235	4329	4595
148	4076	4267	4362	4628
149	4108	4299	4395	4662
150	4139	4331	4427	4695

<b>Table 5: Service Circuit Capacity (Poisson Theory)</b>				
<b>Circuits</b>	<b>Blocking Probability</b>			
	<b>0.001</b>	<b>0.005</b>	<b>0.010</b>	<b>0.050</b>
151	4171	4363	4460	4729
152	4202	4396	4492	4762
153	4234	4428	4525	4796
154	4265	4460	4557	4830
155	4297	4492	4590	4864
156	4328	4525	4622	4897

Release 01.01

Oct 10th, 1999

157	4360	4557	4655	4931
158	4392	4589	4688	4964
159	4423	4621	4721	4998
160	4455	4654	4754	5032
161	4486	4686	4786	5065
162	4518	4718	4819	5099
163	4550	4751	4851	5132
164	4581	4783	4884	5166
165	4613	4816	4917	5200
166	4645	4848	4949	5234
167	4676	4880	4982	5267
168	4708	4913	5015	5301
169	4740	4945	5048	5335
170	4771	4978	5081	5369
171	4803	5010	5114	5402
172	4835	5043	5146	5436
173	4867	5075	5179	5470
174	4898	5108	5212	5504
175	4930	5140	5245	5537
176	4962	5173	5277	5571
177	4994	5205	5310	5605
178	5026	5238	5343	5638
179	5058	5270	5376	5672

Release 01.01

Oct 10th, 1999

180	5089	5303	5409	5706
-----	------	------	------	------

<b>Table 5: Service Circuit Capacity (Poisson Theory)</b>				
<b>Circuits</b>	<b>Blocking Probability</b>			
	<b>0.001</b>	<b>0.005</b>	<b>0.010</b>	<b>0.050</b>
181	5121	5335	5442	5740
182	5153	5368	5475	5774
183	5185	5400	5508	5808
184	5217	5433	5541	5841
185	5249	5466	5574	5875
186	5281	5498	5606	5909
187	5313	5531	5639	5943
188	5345	5563	5672	5977
189	5377	5596	5705	6011
190	5409	5629	5738	6045
191	5441	5661	5771	6078
192	5473	5694	5804	6112
193	5505	5727	5837	6146
194	5537	5760	5871	6180
195	5569	5792	5904	6214
196	5601	5825	5937	6247
197	5633	5858	5969	6281
198	5665	5891	6002	6315

Release 01.01

Oct 10th, 1999

199	5697	5923	6035	6349
200	5729	5956	6068	6383
NOTES: 1. For capacity beyond 200 circuits, divide the traffic by 32.4 to determine the number of circuits required				

**2.8.45. Table 6: MF Receiver Holding Time**

<b>Table 6: MF Receiver Holding Time</b>		
<b>Calls</b>	<b>4 Digit</b>	<b>Additional Digit</b>
Incoming MF Call (all types)	1.9 Sec	0.14 Second
Key Pulsing Switchboard	5.7 Sec	0.60 Second
Note: Add 0.9 seconds for MF incoming calls and 2.32 seconds for Dialpulse incoming calls outpulsing ANI information.		

**2.8.46. Table 7: Digitone Receiver Holding Time**

<b>Table 7: Digitone Receiver Holding Time</b>		
<b>Calls</b>	<b>Holding Time</b>	
0 Operator	2.3 Sec.	(Note 1)
3-Digit Service Code	3.1 Sec.	
7-Digit Number	7.9 Sec.	(Note 2)
10-Digit Number	11.3 Sec. (Note 2)	
False Attempt	3.0 Sec.	
Note: When special toll call (0+) service is provided, add 4 second holding time to operator calls for the time-out feature used to discriminate between (0+) and (0-) calls. Note: Add 0.8 seconds		

Release 01.01

Oct 10th, 1999

for each digit dialled for toll call prefixes.

**2.8.47. Table 8: CMR Modem Holding Times**

<b>Table 8: CMR Modem Holding Times</b>		
<b>Service</b>	<b>Avg. Modem HT (sec.)</b>	<b>Max. Modem HT (sec.)</b>
CND	0.20	1.0
CNAMD	0.20	1.0
CIDCW	0.90	1.0
DCIDCW	0.87	1.0
VSLE	0.20 per entry logged	N/A
CALOG	0.20 per entry logged	N/A
BCLID	Dedicated	Dedicated
Note: The average holding time calculations for VSLE and CALOG each involve the number of logged entries in the downloaded lists.		

**2.8.48. Table 9: DWS ISUP Trunks HDBH (CCS)**

<b>Table 9: DWS ISUP Trunks HDBH (CCS)</b>					
<b>Blocking = 1 %</b>					
<b>H0 / H11 LOAD RATIOS</b>					
<b># DS1s</b>	<b>0/100</b>	<b>20/80</b>	<b>30/70</b>	<b>40/60</b>	<b>50/50</b>
4	686	296	261	245	302
5	1147	822	807	823	876
6	1607	1347	1353	1400	1450

Release 01.01

Oct 10th, 1999

7	2068	1873	1899	1978	2024
8	2528	2398	2445	2555	2598
9	3187	2898	3023	3096	3153
10	3845	3398	3601	3637	3708
11	4462	3981	4169	4265	4331
12	5079	4563	4737	4893	4954
13	5698	5154	5288	5494	5556
14	6317	5745	5839	6095	6157
15	6949	6390	6509	6694	6755
16	7581	7035	7179	7293	7353
17	8228	7747	7827	7909	8002
18	8875	8459	8475	8524	8651
19	9555	9105	9138	9187	9279
20	10235	9750	9800	9850	9907
21	10802	10221	10245	10602	10697
22	11417	10771	10822	11189	11293
23	12042	11327	11406	11784	11897
24	12677	11889	11999	12386	12508
25	13320	12456	12599	12996	13128
26	13973	13029	13208	13613	13755

**Table 9: DWS ISUP Trunks HDBH (CCS)  
Blocking = 1 %  
H0 / H11 LOAD RATIOS**

Release 01.01

Oct 10th, 1999

# DS1s	50/50	60/40	70/30	80/20	0/100
4	302	341	539	609	1651
5	876	915	1080	1187	2430
6	1450	1489	1620	1764	3209
7	2024	2063	2161	2342	3988
8	2598	2637	2701	2919	4767
9	3153	3206	3257	3448	5425
10	3708	3774	3813	3977	6083
11	4331	4410	4489	4662	6838
12	4954	5046	5165	5347	7593
13	5556	5632	5782	5982	8327
14	6157	6217	6399	6617	9060
15	6755	6914	7070	7298	9956
16	7353	7611	7741	7979	10851
17	8002	8186	8275	8479	11589
18	8651	8761	8809	8978	12326
19	9279	9355	9550	9779	13060
20	9907	9949	10291	10579	13793
21	10697	10739	10892	11201	14544
22	11293	11344	11512	11836	15300
23	11897	11956	12142	12480	16063
24	12508	12577	12780	13133	16831
25	13128	13207	13428	13795	17605

Release 01.01

Oct 10th, 1999

26	13755	13845	14085	14467	18385
----	-------	-------	-------	-------	-------

<b>Table 9: DWS ISUP Trunks HDBH (CCS)</b> <b>Blocking = 1 %</b> <b>H0 / H11 LOAD RATIOS</b>					
# DS1s	0/100	20/80	30/70	40/60	50/50
27	14634	13608	13825	14238	14391
28	15305	14193	14449	14870	15034
29	15986	14783	15082	15510	15685
30	16675	15379	15723	16157	16344
31	17374	15981	16372	16811	17011
32	18082	16589	17029	17473	17685
33	18799	17202	17694	18143	18368
34	19525	17821	18367	18820	19058
35	20261	18446	19048	19505	19757
36	21005	19077	19737	20197	20463
37	21759	19713	20435	20896	21177
38	22523	20356	21140	21603	21899
39	23295	21004	21853	22318	22628
40	24077	21657	22575	23040	23366
41	24867	22317	23304	23769	24112
42	25667	22982	24042	24506	24865
43	26477	23653	24787	25251	25626
44	27295	24330	25541	26003	26395



Release 01.01

Oct 10th, 1999

45	28123	25012	26302	26762	27172
46	28960	25701	27072	27529	27957
47	29806	26395	27850	28303	28750
48	30661	27095	28636	29085	29550
49	31526	27800	29429	29875	30359
50	32400	28512	30231	30672	31175

<b>Table 9: DWS ISUP Trunks HDBH (CCS)</b> <b>Blocking = 1 %</b> <b>H0 / H11 LOAD RATIOS</b>					
# DS1s	50/50	60/40	70/30	80/20	0/100
27	14391	14492	14751	15148	19170
28	15034	15147	15426	15838	19962
29	15685	15810	16111	16537	20759
30	16344	16482	16805	17245	21562
31	17011	17162	17508	17963	22371
32	17685	17851	18220	18690	23186
33	18368	18548	18941	19426	24006
34	19058	19254	19672	20171	24833
35	19757	19968	20412	20926	25665
36	20463	20691	21161	21690	26503
37	21177	21422	21919	22463	27346
38	21899	22161	22687	23245	28196
39	22628	22909	23463	24036	29051

Release 01.01

Oct 10th, 1999

40	23366	23665	24249	24837	29913
41	24112	24430	25045	25647	30780
42	24865	25203	25849	26466	31653
43	25626	25985	26662	27294	32531
44	26395	26775	27485	28132	33416
45	27172	27574	28317	28978	34306
46	27957	28381	29159	29834	35202
47	28750	29196	30009	30699	36104
48	29550	30020	30869	31574	37012
49	30359	30852	31737	32457	37926
50	31175	31693	32616	33350	38845

**2.8.49. Table A: Attendant Console Traffic Capacity**

<b>Table A: Attendant Console Traffic Capacity Speed of Answer = 4 seconds</b>						
<b>Attendant Console Activated</b>	<b>Attendant Work Times (AWT) in Seconds</b>					
	<b>16</b>	<b>20</b>	<b>30</b>	<b>40</b>	<b>60</b>	<b>80</b>
31	2.36	2.69	3.63	3.89	4.69	5.31
32	2.38	2.70	3.66	3.92	4.72	5.35
33	2.39	2.72	3.68	3.96	4.77	5.40
34	2.40	2.74	3.71	3.99	4.81	5.45
35	2.41	2.76	3.73	4.03	4.86	5.50

Release 01.01

Oct 10th, 1999

36	2.42	2.78	3.76	4.06	4.90	5.55
37	2.43	2.79	3.78	4.09	4.93	5.59
38	2.44	2.80	3.81	4.12	4.96	5.62
39	2.45	2.81	3.83	4.15	4.99	5.66
40	2.46	2.82	3.85	4.18	5.02	5.70
41	2.47	2.83	3.86	4.19	5.06	5.74
42	2.48	2.84	3.87	4.21	5.09	5.78
43	2.49	2.85	3.88	4.22	5.13	5.82
44	2.50	2.86	3.89	4.24	5.17	5.86
45	2.51	2.87	3.90	4.25	5.20	5.90
46	2.52	2.89	3.93	4.28	5.23	5.94
47	2.53	2.90	3.95	4.31	5.25	5.98
48	2.54	2.91	3.98	4.34	5.28	6.02
49	2.55	2.92	4.00	4.37	5.31	6.06
50	2.56	2.93	4.03	4.40	5.34	6.10
51	2.56	2.94	4.04	4.41	5.36	6.12
52	2.57	2.95	4.06	4.42	5.38	6.15
53	2.58	2.96	4.07	4.43	5.41	6.17
54	2.58	2.97	4.09	4.44	5.43	6.20
55	2.59	2.98	4.10	4.45	5.45	6.22
56	2.60	2.99	4.12	4.47	5.48	6.26
57	2.60	3.00	4.14	4.49	5.51	6.29
58	2.61	3.01	4.16	4.51	5.54	6.33

Release 01.01

Oct 10th, 1999

59	2.62	3.02	4.18	4.53	5.57	6.37
60	2.62	3.03	4.20	4.55	5.60	6.40

<b>Table A: Attendant Console Traffic Capacity</b>						
<b>Speed of Answer = 4 seconds</b>						
<b>Attendant Console Activated</b>	<b>Attendant Work Times (AWT) in Seconds</b>					
	<b>CCS/36</b>	<b>16</b>	<b>20</b>	<b>30</b>	<b>40</b>	<b>60</b>
61	2.63	3.03	4.21	4.57	5.62	6.42
62	2.63	3.04	4.22	4.59	5.64	6.44
63	2.64	3.04	4.24	4.61	5.66	6.46
64	2.64	3.05	4.26	4.63	5.68	6.48
65	2.65	3.05	4.28	4.66	5.70	6.50
66	2.65	3.06	4.28	4.66	5.72	6.52
67	2.66	3.07	4.29	4.67	5.74	6.54
68	2.67	3.08	4.30	4.68	5.76	6.56
69	2.67	3.09	4.31	4.69	5.78	6.58
70	2.68	3.10	4.32	4.70	5.80	6.70
71	2.68	3.11	4.33	4.72	5.82	6.72
72	2.69	3.12	4.34	4.74	5.84	6.73
73	2.69	3.13	4.36	4.76	5.86	6.74
74	2.70	3.14	4.38	4.78	5.88	6.75
75	2.70	3.15	4.40	4.80	5.90	6.76

Release 01.01

Oct 10th, 1999

76	2.71	3.16	4.41	4.82	5.92	6.77
77	2.71	3.17	4.42	4.84	5.94	6.77
78	2.72	3.18	4.43	4.86	5.96	6.78
79	2.72	3.19	4.45	4.88	5.98	6.79
80	2.73	3.20	4.46	4.90	6.00	6.90

NORTEL NETWORKS

297-8991-101

Release 01.01

Oct 10th, 1999

Release 01.01

Oct 10th, 1999

DMS-100 FAMILY

NORTH AMERICAN DMS-100

Product Computing Module Loads Provisioning Guide

©1999 All rights reserved

**NORTEL NETWORKS CONFIDENTIAL:** The information contained in this document is the property of Nortel Networks. Except as specifically authorized in writing by Nortel Networks, the holder of this document shall keep the information contained herein confidential and shall protect same in whole or in part from disclosure and dissemination to third parties and use same for evaluation, operation, and maintenance purposes only. Information is subject to change without notice. Nortel Networks reserves the right to make changes in design or components as progress in engineering and manufacturing may warrant.

DMS, DMS SuperNode, MAP, and NT are trademarks of Nortel Networks

Publication number: 297-8991-101

Product release: Generic

Document release:01.01.

Date: Oct 10th, 1999

Printed in the United States of America